

## Owner's Manual

# CRAFTSMAN®

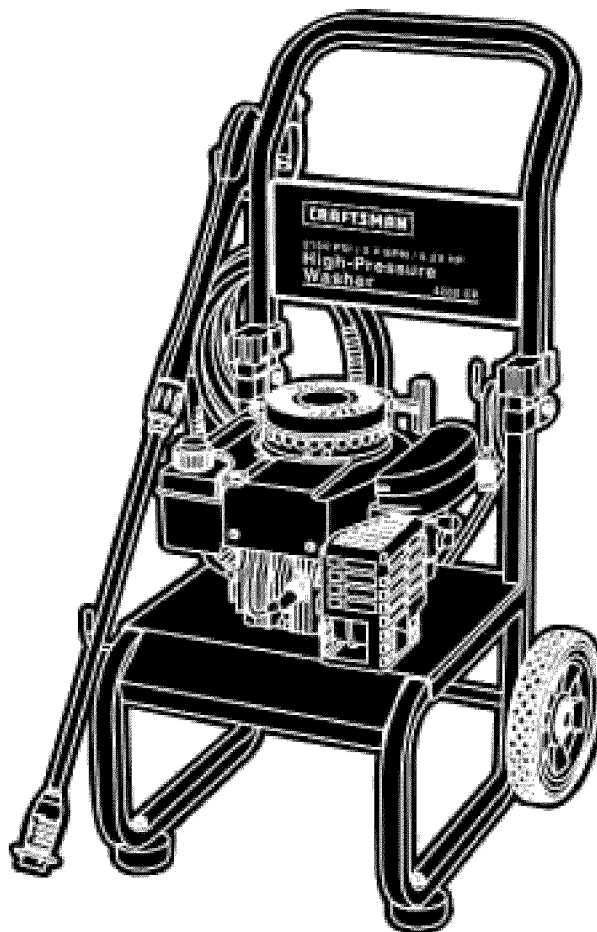
6.25 HORSEPOWER

2,100 PSI

2.0 GPM

## HIGH PRESSURE WASHER

Model No. 580.768310



PRESSURE WASHER  
CUSTOMER HELPLINE  
1-800-222-3136

HOURS: Mon. - Fri. 8 a.m. to 5 p.m. (CT)

**CAUTION:** Before using this product, read this manual and follow all Safety Rules and Operating Instructions.

- Safety
- Assembly
- Operation
- Maintenance
- Parts
- Español

SEARS, ROEBUCK and CO., Hoffman Estates, IL 60179 U.S.A.

Visit our Craftsman website: [www.sears.com/craftsman](http://www.sears.com/craftsman)

# TABLE OF CONTENTS

WARRANTY . . . . .	2	STORAGE . . . . .	14
SAFETY RULES . . . . .	2-3	TROUBLESHOOTING . . . . .	15
ASSEMBLY . . . . .	4-5	REPLACEMENT PARTS . . . . .	16-23
OPERATION . . . . .	6-9	EMISSION CONTROL WARRANTY . . . . .	24
MAINTENANCE . . . . .	10-13	ESPAÑOL . . . . .	25-39
SPECIFICATIONS . . . . .	10	HOW TO ORDER PARTS . . . . .	BACK PAGE

## WARRANTY

### LIMITED WARRANTY ON CRAFTSMAN HIGH PRESSURE WASHER

For one year from the date of purchase, when this Craftsman pressure washer is maintained and operated according to the instructions in the owner's manual, Sears will repair, free of charge, any defect in material and workmanship.

If this washer is used for commercial purposes, this warranty applies for only 90 days from the date of purchase. If this high pressure washer is used for rental purposes, this warranty applies for only 30 days after date of purchase.

This warranty does not cover:

- Expendable items such as spark plugs or air filters, which become worn during normal use.
- Repairs necessary because of operator abuse or negligence, including damage resulting from no water being supplied to pump or failure to maintain the equipment according to the instructions contained in the owner's manual.

Warranty service is available by returning the high pressure washer to the nearest Sears service center or dealer in the United States.

This warranty gives you specific legal rights and you may also have other rights, which vary from state to state.

**Sears, Roebuck and Co., Dept. 817WA, Hoffman Estates, IL 60179**

## SAFETY RULES



### WARNING:



**The engine exhaust from this product contains chemicals known to the State of California to cause cancer, birth defects, or other reproductive harm.**



**CAUTION!** When setting up, transporting, adjusting or making repairs to your high pressure washer, always disconnect the spark plug wire from the spark plug and place the wire where it cannot contact spark plug.



**DANGER!** Engine exhaust gases contain DEADLY carbon monoxide gas. This dangerous gas, if breathed in sufficient concentrations, can cause unconsciousness or even death. Operate this equipment only in the open air where adequate ventilation is available.



**DANGER!** Gasoline is highly FLAMMABLE and its vapors are EXPLOSIVE. **Do Not** permit smoking, open flames, sparks or heat in the vicinity while handling gasoline. Avoid spilling gasoline on a hot engine. Allow unit to cool before refueling. Comply with all laws regulating storage and handling of gasoline.

**Read this manual carefully and become familiar with your pressure washer. Know its applications, its limitations, and any hazards involved.**

- Locate this pressure washer in areas away from combustible materials, combustible fumes or dust.
- The high pressure equipment is designed to be used with Sears authorized parts **only**. If you use this equipment with parts that do not comply with minimum specifications, the user assumes all risks and liabilities.
- Some chemicals or detergents may be harmful if inhaled or ingested, causing severe nausea, fainting or poisoning. The harmful elements may cause property damage or severe injury.

# SAFETY RULES

- **Do Not** allow CHILDREN to operate the pressure washer at any time.
  - Operate engine only at governed speed. Running the engine at excessive speeds increases the hazard of personal injury. **Do Not** tamper with parts which may increase or decrease the governed speed.
  - **Do Not** wear loose clothing, jewelry or anything that may be caught in the starter or other rotating parts.
  - Before starting the pressure washer in cold weather, check all parts of the equipment and be sure ice has not formed there.
  - Never use a spray gun which does not have a trigger lock or trigger guard in place and in working order.
  - Keep the hose connected to machine or the spray gun while the system is pressurized. Disconnecting the hose while the unit is pressurized is dangerous.
  - Units with broken or missing parts, or without protective housing or covers, should NEVER be operated.
  - Check the fuel system for leaks or signs of deterioration, such as chafed or spongy hose, loose or missing clamps, or damaged tank or cap. Correct all defects before operating the pressure washer.
  - **Do Not** spray flammable liquids.
  - Use a respirator or mask whenever there is a chance that vapors may be inhaled. Read all instructions with mask so you are certain the mask will provide the necessary protection against inhaling harmful vapors.
  - Never aim the gun at people, animals or plants. The high pressure stream of water that this equipment produces can pierce skin and its underlying tissues, leading to serious injury and possible amputation.
  - Never allow any part of the body to come in contact with the fluid stream. **Do Not** come in contact with a fluid stream created by a leak in the high pressure hose.
  - Always wear eye protection when you use this equipment or when you are in the vicinity where the equipment is in use.
  - High pressure spray can cause paint chips or other particles to become airborne.
  - **Do Not** operate the pressure washer above the rated pressure.
  - Never move the machine by pulling on the high pressure hose. Use the handle provided on the unit.
  - Always be certain the spray gun, nozzles and accessories are correctly attached.
  - **Do Not** secure the spray gun in the (open) position.
  - High pressure spray may damage fragile items including glass. **Do Not** point spray gun at glass when in the jet spray mode.
  - Hold the spray gun firmly in your hand before you start the unit. Failure to do so could result in an injury from a whipping spray gun. **Do Not** leave the spray gun unattended while the machine is running.
  - The cleaning area should have adequate slopes and drainage to reduce the possibility of a fall due to slippery surfaces.
  - Keep water spray away from electric wiring or fatal electric shock may result.
  - **Do Not** by-pass any safety device on this machine.
  - The muffler and engine heat up during operation and remain hot immediately after shutting it down. Avoid contact with a hot muffler or engine as you could be severely burned.
  - Operate and store this unit on a stable surface.
  - High pressure hose can develop leaks from wear, kinking, abuse, etc. Water spraying from a leak is capable of injecting material into skin. Inspect hose each time before using it. Check all hoses for cuts, leaks, abrasions or bulging of cover, or damage or movement of couplings. If any of these conditions exist, replace hose immediately. Never repair high pressure hose. Replace it with another hose that meets maximum pressure rating of your unit.
  - The muffler and air cleaner must be installed and in good condition before operating the pressure washer. These components act as spark arresters if the engine backfires.
- In the State of California a spark arrester is required by law (Section 4442 of the California Public Resources Code). Other states may have similar laws. Federal laws apply on federal lands.
- NOTE:** If you equip the muffler with a spark arrester, it must be maintained in effective working order. You can order a spark arrester through your authorized Sears service dealer.



This is the safety alert symbol. It is used to alert you to potential personal injury hazards. Obey all safety messages that follow this symbol to avoid possible injury or death.

# ASSEMBLY

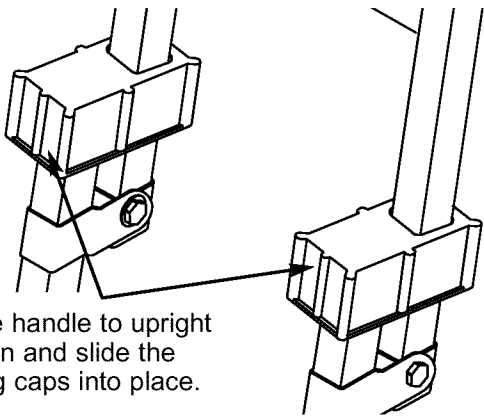
Your pressure washer requires some assembly and is ready for use only after it has been properly serviced with the recommended oil and fuel.

**If you have any problems with the assembly of your pressure washer, please call the pressure washer helpline at 1-800-222-3136.**

**IMPORTANT:** Any attempt to run the engine before it has been serviced with the recommended oil will result in an engine failure.

## REMOVE PRESSURE WASHER FROM CARTON

- Open carton and slice two corners opposite guide handle from top to bottom so the panel can be folded down flat.
- Remove fillers and parts box shipped with your pressure washer.
- Roll the pressure washer out the open end of the carton.
- Raise guide handle, secure in place.



Lift the handle to upright position and slide the locking caps into place.

- Check carton for additional loose parts.

## CARTON CONTENTS

Check all contents. If any parts are missing or damaged, call the pressure washer helpline at 1-800-222-3136.

- The main unit
- Parts box (which includes items listed below)
  - High pressure hose
  - Spray gun
  - Nozzle extension with adjustable nozzle
  - Engine oil
  - Owner's manual
  - Nozzle cleaning kit
  - O-Ring maintenance kit

Become familiar with each piece before assembling the pressure washer. Compare contents against the view on page 6. If any parts are missing or damaged, call the pressure washer helpline at 1-800-222-3136.

## ASSEMBLING YOUR PRESSURE WASHER

Your Craftsman high pressure washer was mostly assembled at the factory. However, you will need to perform these tasks before you can operate your pressure washer:

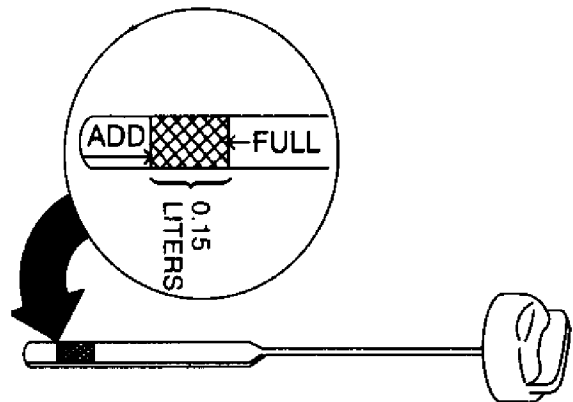
- Add oil to engine crankcase.
- Add fuel to fuel tank.
- Connect high pressure hose to the spray gun and the pump.
- Connect water supply to the pump.

### Add Engine Oil

**IMPORTANT:** Any attempt to crank or start the engine before it has been properly serviced with the recommended oil may result in an engine failure.

**NOTE:** When adding oil to the engine crankcase, use only high quality detergent oil rated with API service classification SF, SH, SG, or SH/CD rated SAE 30 weight.

- Place pressure washer on a level surface.
- Clean area around oil fill.
- Remove oil fill cap and dipstick.
- Wipe dipstick clean, insert it into oil fill hole and tighten securely, remove dipstick. Add recommended oil up to "Full" mark on dipstick. Pour slowly. Wipe dipstick clean each time oil level is checked. **Do Not** overfill.



- Install oil fill plug and dipstick, tighten securely.

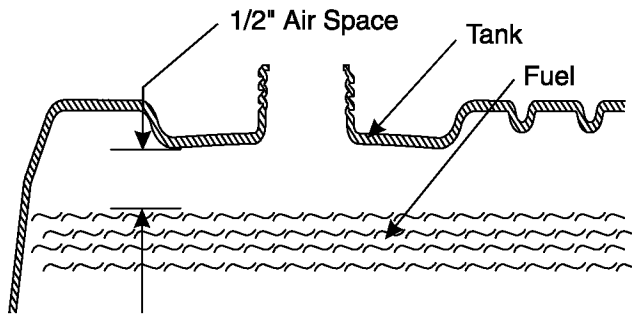
**NOTE:** Check oil often during engine break-in.

## Add Gasoline

**! DANGER!** Never fill fuel tank indoors. Never fill fuel tank when engine is running or hot. **Do Not** smoke when filling fuel tank.

**! WARNING!** Never fill fuel tank completely full. Provide space for fuel expansion. Wipe away any fuel spillage from engine and equipment before starting.

- Use clean unleaded automotive gasoline and store in approved, clean, covered containers. Use clean fill funnels. Never use "stale" gasoline left over from last season or gasoline stored for long periods.
- Clean area around fuel fill cap, remove cap.
- Slowly add "UNLEADED" regular gasoline to fuel tank. Use a funnel to prevent spillage. Fill tank to about 1/2" below the bottom of the filler neck.

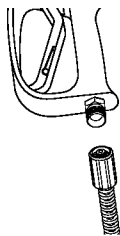


- Install fuel cap and wipe up any spilled gasoline.

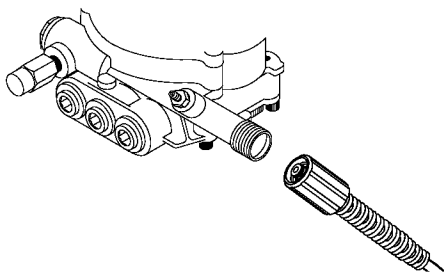
## Connect Hose and Water Supply to Pump

**IMPORTANT:** You must assemble nozzle extension and attach all hoses before you start engine. Starting engine without all hoses connected and water supplied will damage pump.

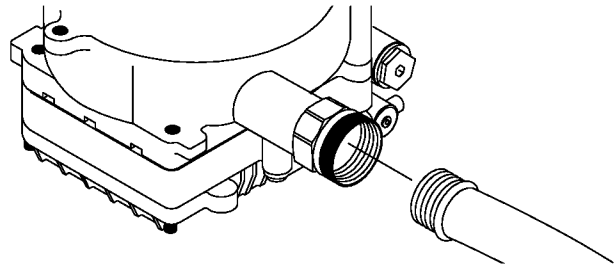
- Uncoil high pressure hose and attach one end of hose to the base of the spray gun. Tighten by hand.



- Attach other end of high pressure hose to the high pressure outlet on the pump. Tighten by hand.



- Before you connect your garden hose to the water inlet, inspect the inlet screen. Clean the screen if it contains debris or have it replaced if damaged. **Do Not run the pressure washer if the inlet screen is damaged.**
- Connect the garden hose to the water inlet. Tighten by hand.

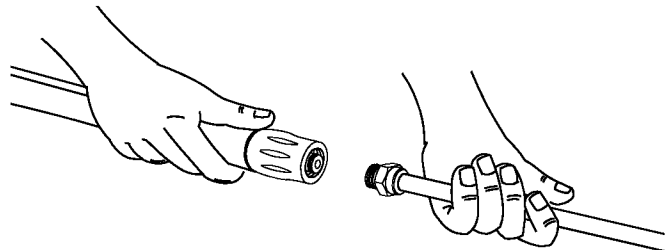


**! WARNING!** There MUST be at least ten feet of unrestricted garden hose between the pressure washer inlet and any flow shut off device, such as a 'Y' shut-off connector or other convenience-type water shut-off valve. Damage to pressure washer resulting from disregarding this warning will not be covered by the warranty.

- Turn ON the water and squeeze the trigger on the gun to purge the pump system of air and impurities.

**! CAUTION!** Before starting the pressure washer, be sure you are wearing adequate eye protection.

- Attach nozzle extension to spray gun. Tighten by hand.



## CHECKLIST BEFORE STARTING ENGINE

Review the unit to ensure you have performed all of the following:

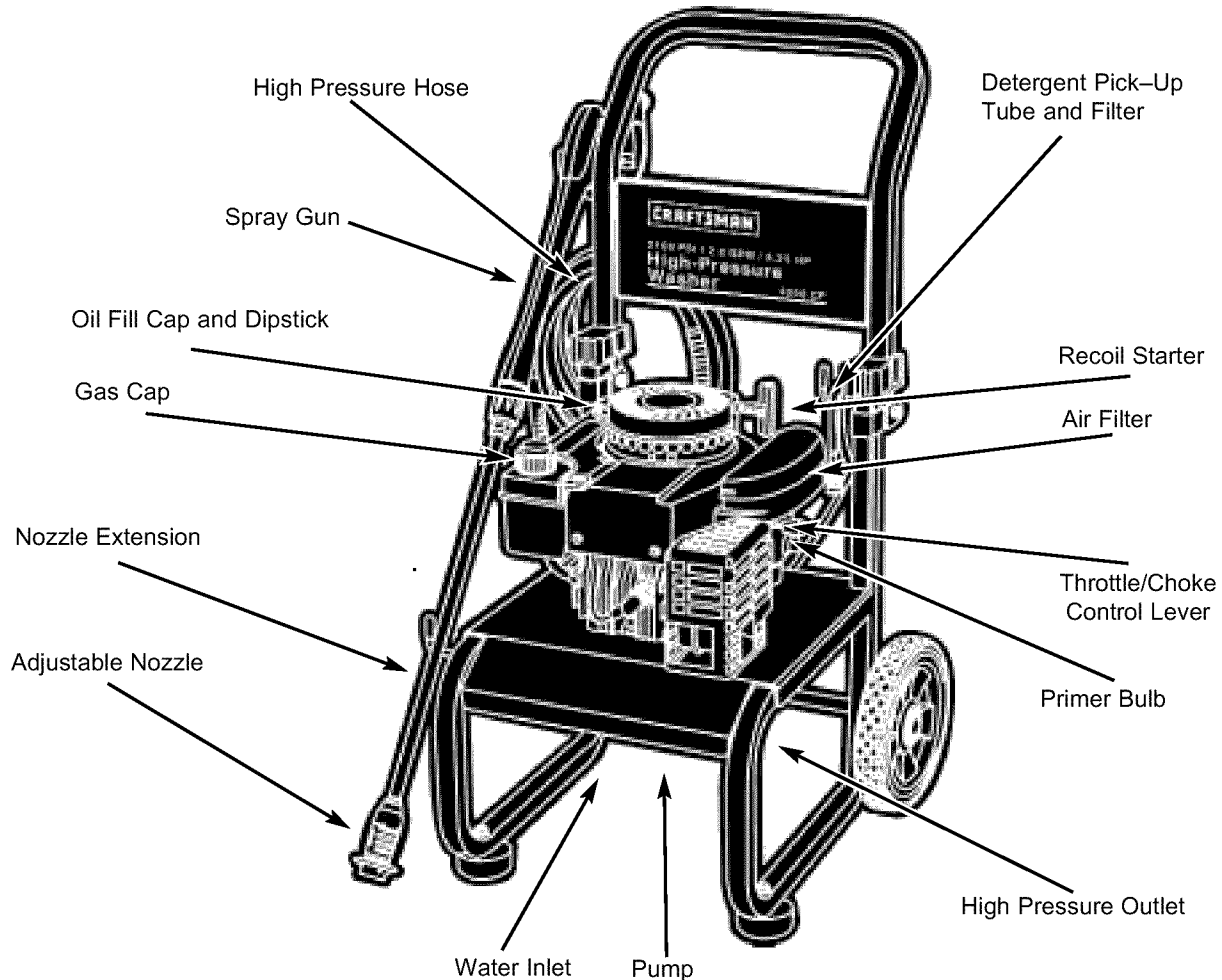
- Check that oil has been added to proper level in engine crankcase.
- Add proper gasoline to fuel tank.
- Check for properly tightened hose connections (high pressure and water supply) and that there are no kinks, cuts, or damage to the high pressure hose.
- Provide proper water supply (not to exceed 140°F).
- Be sure to read "Safety Rules" and "Operation" sections before using the pressure washer.

# OPERATION

## KNOW YOUR PRESSURE WASHER

Read the owner's manual and safety rules before operating your pressure washer.

Compare the illustrations with your pressure washer to familiarize yourself with the locations of various controls and adjustments. Save this manual for future reference.



**Adjustable Nozzle** – Adjust for high or low pressure; narrow or fan spray.

**Air Filter** – Dry type filter element limits the amount of dirt and dust that gets in the engine.

**Detergent Pick-Up Tube and Filter** – Used to siphon detergent from chemical bottle to the low pressure water stream.

**Gas Cap** – Fill fuel tank with regular unleaded gasoline here.

**High Pressure Hose** – Connect one end to the spray gun and other end to the high pressure outlet.

**High Pressure Outlet** – Connection for high pressure hose.

**Nozzle Extension** - Attached to spray gun for more convenient use.

**Oil Fill Cap and Dipstick** – Check and fill engine with oil here. See page 4 for oil recommendations and filling instructions.

**Primer Bulb** - Used to help start a cold engine.

**Pump** – Develops high water pressure.

**Recoil Starter** – Used for starting the engine.

**Spray Gun** – Controls the application of water onto cleaning surface with trigger device. Includes safety latch.

**Throttle/Choke Control Lever** – Sets engine in starting mode for recoil starter and stops running engine.

**Water Inlet** – Connection for garden hose.

# HOW TO USE YOUR PRESSURE WASHER

If you have any problems operating your pressure washer, please call the pressure washer helpline at 1-800-222-3136.

## To Start Your Pressure Washer

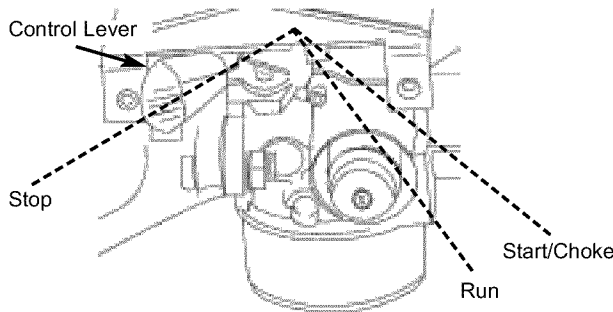
To start your engine-powered pressure washer for the first time, follow these instructions step-by-step. This starting information also applies whenever you start the engine after you have let the pressure washer sit idle for at least a day.

- Place the pressure washer in an area close enough to an outside water source capable of supplying water at a flow rate greater than 2.2 gallons per minute.
- Check that the high pressure hose is tightly connected to the spray gun and to the pump. See "Assembling Your Pressure Washer".
- Make sure unit is in a level position.
- Connect the garden hose to the water inlet. Tighten by hand. **Turn on the water.**

**WARNING!** There MUST be at least ten feet of unrestricted garden hose between the pressure washer inlet and any flow shut off device, such as a 'Y' shut-off connector or other convenience-type water shut-off valve. Damage to pressure washer resulting from disregarding this warning will not be covered by the warranty.

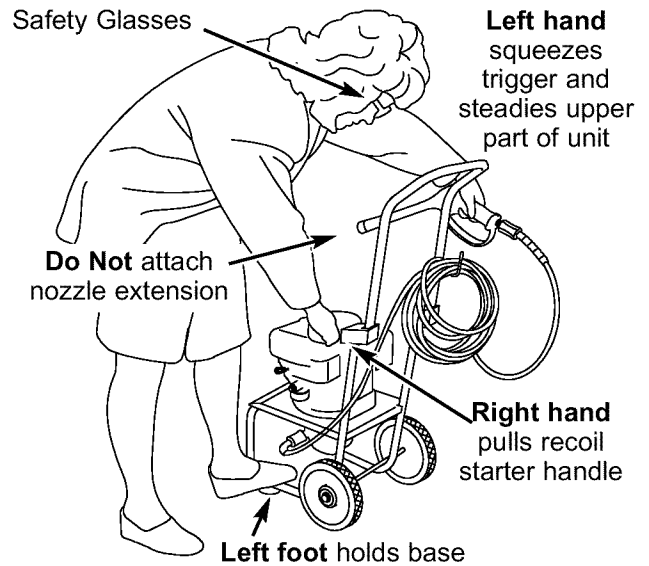
**CAUTION:** Do Not run the pump without the water supply connected and turned on. You must follow this caution or the pump will be damaged.

- Move control lever to the "Start/Choke" position.



**NOTE:** For a warm engine, be sure the control lever is in the "Run" position.

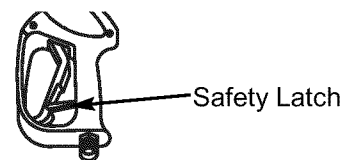
- Ensure the nozzle extension is NOT attached to the spray gun. The spray gun should be placed on the handle storage hook, as shown here.



- Place your left foot on the unit's lower frame.
- Grasp the spray gun with your left hand and squeeze the trigger on the spray gun. Water will flow out of the spray gun in a thin stream. Continue to squeeze the trigger. Your left hand will also serve to steady the unit.
- Grasp the recoil starter handle with your right hand, as shown. Pull the starter handle lightly until you feel some resistance, then pull briskly. Return the starter grip handle slowly. **Do Not** let rope "snap back" against starter.
- When engine starts, slowly move control lever to the "Run" position. If engine falters, move control lever to the "Start/Choke" position, then to the "Run" position.
- If engine fails to start after six pulls, move control lever to the "Run" position. If engine fires, but does not continue to run, move control lever to the "Start/Choke" position, then to the "Run" position.

**NOTE:** The engine is equipped with a primer, which may be required to aid engine start up when ambient temperatures are below 40°F. To use primer, press the prime button 3 times, waiting 2 seconds between each press.

- With engine running, engage the safety latch to the spray gun trigger.



- Attach nozzle extension to spray gun. Tighten by hand.

## How to Stop Your Pressure Washer

- Move control lever to “**Stop**” position.
- **Squeeze trigger on the spray gun to relieve pressure in the hose.**

**NOTE:** A small amount of water will squirt out when you release the pressure.

## How To Use the Adjustable Nozzle

You now should know how to **START** your pressure washer and how to **STOP** it. The information in this section will tell you how to adjust the spray pattern and apply detergent or other cleaning chemicals.

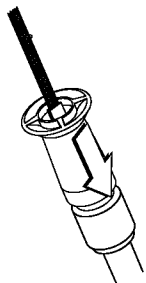
**! DANGER!** Never adjust spray pattern when spraying. Never put hands in front of nozzle to adjust spray pattern.

On the end of your spray gun is a nozzle handle that can adjust the spray pressure and the spray pattern.

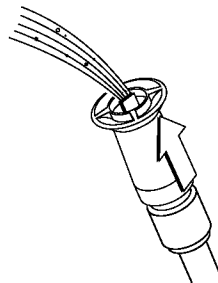
- Point the nozzle toward the ground, disengage the safety latch, and press the trigger to test the pattern.



- Sliding the nozzle forward and back adjusts the spray pressure.

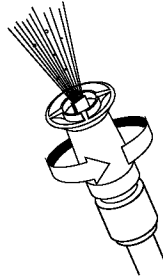


Slide nozzle backward for high pressure mode.

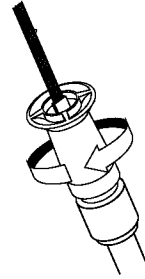


Slide nozzle forward for low pressure mode and detergent application.

- Twisting the nozzle adjusts the spray pattern from a narrow pattern to a fan pattern.



Twist nozzle counter-clockwise for fan pattern.



Twist nozzle clockwise for narrow spray pattern.

- For most effective cleaning, keep the spray nozzle between 8 to 24 inches away from cleaning surface.
- If you get the spray nozzle too close, especially using high pressure mode, you may damage the surface being cleaned.
- **Do Not** get closer than 8 inches when cleaning tires.

## Applying Detergent with Adjustable Nozzle

**IMPORTANT:** Use chemicals designed specifically for pressure washers. Household detergents could damage the pump.

**IMPORTANT:** You must attach all hoses before you start the engine. Starting the engine without all the hoses connected and without the water turned ON will damage the pump.

### To apply detergent, follow these steps:

- Review the use of the adjustable nozzle.
- Prepare the detergent solution as required by the job.
- Hang the detergent solution container on the hook attached to the handle.
- Place the filter end of the detergent siphoning tube into the detergent container.

**! CAUTION:** When inserting the filter into the detergent container, route the tube so as to keep it from inadvertently contacting the hot muffler.

- Slide the adjustable nozzle forward to low pressure mode. Detergent cannot be applied with the nozzle in high pressure position.



- Make sure the garden hose is connected to the water inlet. Check that the high pressure hose is connected to the spray gun and the pump. Start the engine.
- Apply detergent to a dry surface, starting from the bottom and working up.
- Allow the detergent to “soak in” for 3-5 minutes before rinsing. Reapply as needed to prevent surface from drying.
- For washing, start at lower portion of area to be washed and work upward, using long, even, overlapping strokes.

**IMPORTANT:** You must flush the chemical injection system after each use by placing the filter into a clean bucket of water and running the pressure washer in low pressure for 1-2 minutes.

### Pressure Washer Rinsing



**WARNING:** Be extremely careful if you use the pressure washer from a ladder, scaffolding or any other relatively unstable location. Pressure in a running washer builds as you climb. When you press the trigger, the recoil from the initial spray could cause you to fall. The high pressure spray could also cause you to fall if you are too close to the cleaning surface.

### For Rinsing:

- Slide the nozzle backward to high pressure, press the trigger and wait for the detergent to clear.

**NOTE:** You can also stop detergent flow by removing detergent siphoning tube from container.

- Keep the spray gun a safe distance from the area you plan to spray.
- Apply a high pressure spray to a small area, then check the surface for damage. If no damage is found, it is okay to continue cleaning.
- Start at the top of the area to be rinsed, working down with same overlapping strokes as you used for washing and applying detergent.

### Automatic Cool Down System (Thermal Relief)

If you run the engine on your pressure washer for 3-5 minutes without pressing the trigger on the spray gun, circulating water in the pump can reach temperatures between 140–145°F. The automatic cool down system engages at this temperature and cools the pump by discharging the warm water onto the ground, preventing internal pump damage.

# MAINTENANCE

## OWNER'S RESPONSIBILITIES

Follow the hourly or calendar intervals, whichever occurs first.

More frequent service is required when operating in adverse conditions noted below.

<b>MAINTENANCE SCHEDULE</b> <small>FILL IN DATES AS YOU COMPLETE                      REGULAR SERVICE</small>	<b>HOURLY OPERATING                      INTERVAL</b>			<b>SERVICE DATES</b>			
	<small>Before Each                      Use</small>	<small>Every 25                      Hours or                      Yearly</small>	<small>Every 100                      Hours or                      Yearly</small>				
<b>MAINTENANCE TASK</b>							
<b>PRESSURE WASHER</b>							
Check/clean water inlet screen on quick-connect.	X†						
Check high pressure hose.	X						
Check detergent hose.	X						
Check spray gun and assembly for leaks.	X						
Purge pump of air and contaminants.	X						
<b>ENGINE</b>							
Check oil level.	X						
Change engine oil.		X*					
Service air cleaner.			X**				
Service spark plug.			X				
Prepare for storage.	Prepare unit for storage if it is to remain idle for longer than 30 days.						

† Clean if clogged. Replace if perforated or torn.

\* Change oil after the first (2) operating hours and every 25 hours or yearly thereafter. Change sooner when operating under dirty or dusty conditions.

\*\* Replace more often under dirty or dusty conditions.

## PRODUCT SPECIFICATIONS

### Pressure Washer Specifications

Pressure . . . . . 2,100 PSI  
 Flow Rate . . . . . 2.0 GPM  
 Chemical Mix . . . . . Use as directed  
 Water Supply Temperature . . . . . Not to Exceed 140°F

### Engine Specifications

Rated Horsepower . . . . . 6.25 HP  
 Spark Plug  
     Type: . . . . . Champion RJ-19LM  
     Set Gap To: . . . . . 0.030inch (0.76mm)  
 Gasoline Capacity . . . . . 1.5 Quarts  
 Oil . . . . . Sae 30

## GENERAL RECOMMENDATIONS

The pressure washer warranty does not cover items that have been subjected to operator abuse or negligence. To receive full value from the warranty, the operator must maintain pressure washer as instructed in this manual.

Some adjustments will need to be made periodically to properly maintain your pressure washer.

All service and adjustments should be made at least once each season. Follow the requirements in the "Maintenance Schedule" chart above.

**NOTE:** Once a year you should clean or replace the spark plug and replace the air filter. A new spark plug and clean air filter assure proper fuel-air mixture and help your engine run better and last longer.

## BEFORE EACH USE

- Check engine oil level.
- Check water inlet screen for damage.
- Check in-line filter for damage.
- Check high pressure hose for leaks.
- Check chemical filters for damage.
- Check gun and nozzle extension assembly for leaks.
- Purge pump of air and contaminants.

## PRESSURE WASHER MAINTENANCE

### Check and Clean Inlet Screen

Examine garden hose inlet screen. Clean if it is clogged or replace if it is torn.

### Check High Pressure Hose

High pressure hoses can develop leaks from wear, kinking, or abuse. Inspect hose before each use. Check for cuts, leaks, abrasions, bulging of cover, or damage or movement of couplings. If any of these conditions exist, replace hose immediately.



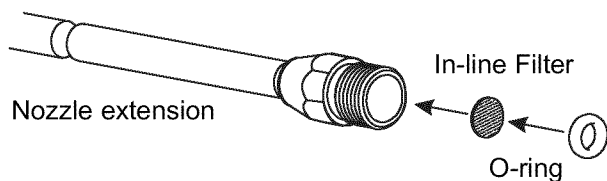
**DANGER:** Never repair a high pressure hose. Replace with hose that exceeds the maximum pressure rating of your pressure washer.

### Check Gun and Nozzle Extension

Examine hose connection to gun and make sure it is secure. Test trigger by pressing it and making sure it springs back into place when you release it. Engage safety latch and test trigger. You should not be able to press trigger. Replace gun immediately if it fails any of these tests.

### Check In-Line Filter

Refer to the illustration and service the in-line filter if it becomes clogged, as follows:



1. Detach nozzle extension from gun and remove o-ring and screen from nozzle extension. Flush the screen, gun, and nozzle extension with clean water to clear debris.

2. If the screen is damaged, the o-ring kit contains a replacement in-line filter screen and an o-ring. If undamaged, reuse screen.
3. Place the in-line filter screen into the threaded end of the nozzle extension. Direction does not matter. Push the screen in with the eraser end of a pencil until it rests flat at the bottom of the opening. Take care to not bend the screen.
4. Place the o-ring into the recess. Push the o-ring snugly against the in-line filter screen.
5. Assemble the nozzle extension to the spray gun, as described earlier in this manual.

### Purge Pump of Air and Contaminants

To remove air from the pump, follow these steps:

- Set up the pressure washer as described in the ASSEMBLY section and connect the water supply.
- Pull the trigger on the gun and hold until a steady stream of water appears.

To remove contaminants from the pump, follow these steps:

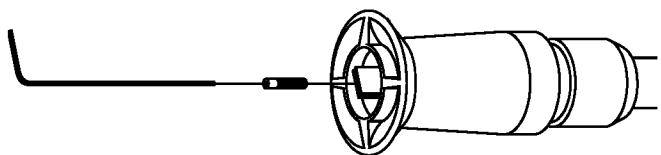
- Set up the pressure washer as described in the ASSEMBLY section, and connect the water supply.
- Remove the nozzle extension from the gun.
- Start the engine according to instructions in OPERATION section.
- Pull the trigger on the gun and hold.
- When the water supply is steady and constant, engage the safety latch and refasten the nozzle extension.

### Nozzle Maintenance

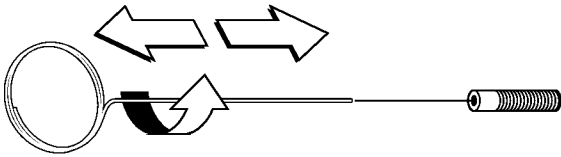
If the nozzle becomes restricted or clogged with foreign materials such as dirt, excessive pump pressure may develop. A partially clogged nozzle can cause a pulsing condition during use. This generally is not a pump related problem, but rather a clogged or partially restricted nozzle.

If the nozzle becomes clogged or partially restricted, immediately clean the nozzle with the kit included with your pressure washer by following these instructions:

- Shut off the engine and turn off the water supply.
- Separate the nozzle extension from the gun.
- Rotate to stream setting.
- Remove nozzle from the end of the nozzle extension using a 2 mm or 5/64 allen wrench.

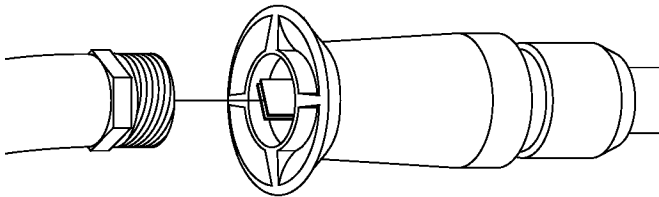


- Use the wire included in the kit or a small paper clip to free the foreign materials clogging or restricting the nozzle.



Insert wire into nozzle and turn back and forth to clear obstruction.

- Remove additional debris by back flushing water supply through nozzle extension. Back flush between 30 to 60 seconds. Turn nozzle extension to stream spray and move nozzle from low to high pressure while flushing.



- Reinstall nozzle into nozzle extension. **Do Not** overtighten.
- Reconnect nozzle extension to spray gun.
- Reconnect the water supply, turn ON the water, and start the engine.
- Test the pressure washer by operating with nozzle in the high and the low pressure positions.

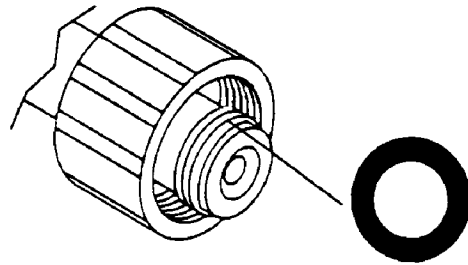
### O-Ring Maintenance

Through the normal operation of your pressure washer, the o-rings keep the connections of the hoses and gun tight and leak-free. They may become worn or damaged with use.

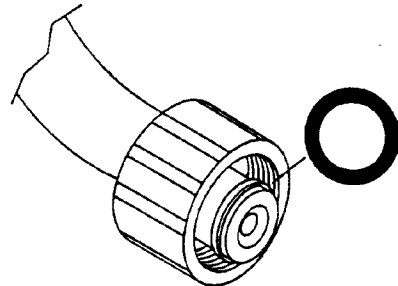
Provided with your pressure washer is an O-Ring Maintenance Kit which includes replacement o-rings, rubber washer and water inlet filter. Refer to the instruction sheet provided in the kit to service your unit's o-rings. Note that not all of the parts in the kit will be used on your unit.

### Parts in the O-Ring Kit include:

- 1 o-ring, red, (p/n B2726) for the end of the spray gun connection between gun and nozzle extension.

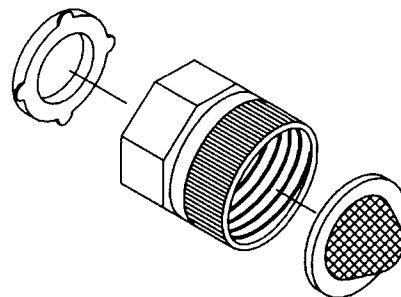


- 1 o-ring, yellow, (p/n B2264) for the end of the high pressure hose.



**NOTE:** The above two o-rings are close in size. Please match carefully to assure proper o-ring usage.

- 1 rubber washer, (p/n B2385) for the inside of the garden hose connector.



- 1 water inlet screen (p/n B2384) for the garden hose connector.

### To remove a worn or damaged O-Ring:

- Use a small flathead screwdriver to get underneath the o-ring and pry it off.

## ENGINE MAINTENANCE

### Checking Oil Level

Oil level should be checked prior to each use or at least every 5 hours of operation. Keep oil level maintained.

### Changing Oil

Change engine oil after the first 2 hours and every 25 hours thereafter. If you are using your pressure washer under extremely dirty or dusty conditions, or in extremely hot weather, change oil more often.

Change oil while engine is still warm from running, as follows:

- Drain fuel tank by running pressure washer until fuel tank is empty.
- Clean area around oil fill, remove oil fill cap/dipstick. Wipe dipstick clean.
- Tip your pressure washer to drain oil from the oil fill into a suitable container making sure you tip your unit away from the spark plug. When crankcase is empty, return the pressure washer to upright position.
- Wipe dipstick clean, insert it into oil fill hole and tighten securely, remove dipstick. Add recommended oil up to "Full" mark on dipstick. Pour slowly. Wipe dipstick clean each time oil level is checked. **Do Not** overfill.
- Install oil fill plug and dipstick, tighten securely.
- Wipe up any remaining oil.

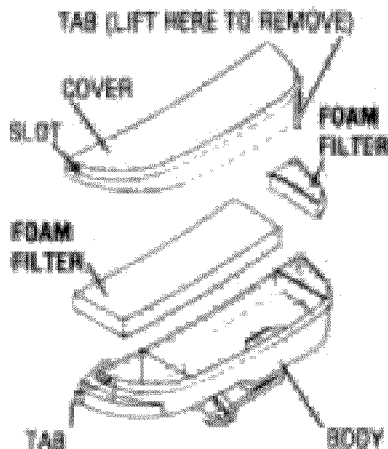
### Service Air Cleaner

Your engine will not run properly and may be damaged if you run it with a dirty air cleaner.

Replace the air cleaner once every 100 hours of operation or once each year, whichever comes first. Replace more often if operating under dirty or dusty conditions. Replacements are available at your local Sears service center.

**To replace the air cleaner, follow these steps:**

- Remove cover by pulling tab away from body while lifting cover upward.



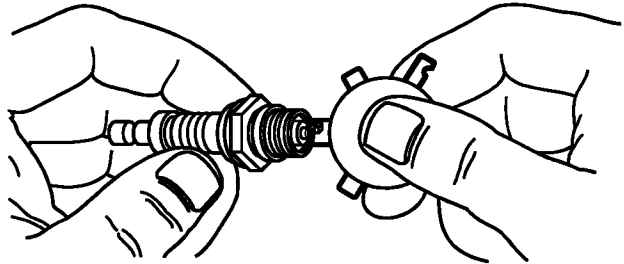
- Remove dirty air filter element carefully to prevent debris from falling into carburetor. Discard.
- Clean inside of cover and body thoroughly.
- Install new air filter elements in body. You can purchase new air filter elements by calling **1-800-366-PART**.
- Install cover by hooking slot of cover over tab on body. Push cover down, snapping cover onto body.

### Service Spark Plug

Service the spark plug every 100 hours of operation or yearly, whichever occurs first.

**CAUTION:** Disconnect spark plug wire from spark plug and keep wire away from spark plug while servicing engine.

- Clean area around spark plug.
- Remove and inspect spark plug.
- Replace spark plug if the electrodes are worn, or if the insulator is cracked or chipped. For replacement use Champion RJ-19LM.
- Check electrode gap with wire feeler gauge and set gap at 0.030 inches (0.76mm), if necessary.



- Install spark plug, tighten securely.

### Carburetor

If you think your carburetor needs adjusting, see your nearest Sears service center. Engine performance may be affected at altitudes above 7000 feet. For operation at higher elevations, contact your nearest Sears service center.

### AFTER EACH USE


Water should not remain in the unit for long periods of time. Sediments or minerals can deposit on pump parts and "freeze" pump action. Follow these procedures after every use:

- Flush detergent siphoning tube by placing the filter into a pail of clean water while running pressure washer in low pressure mode (adjustable nozzle in the forward position). Flush for one to two minutes.
- Shut off the engine and let it cool, then remove all hoses.
- Disconnect spark plug wire from spark plug.
- Empty the pump of all liquids by pulling recoil handle about 6 times. This should remove most of the liquid in the pump.


# STORAGE

## GENERAL

- Inspect the high pressure hose for damage. Cuts in the hose or fraying could result in leaks and loss of pressure. Should any damage be found, replace the hose. **Do Not** attempt to repair a damaged hose. Replace the hose with the genuine Craftsman part.
- Drain water from hose and properly coil it on the attached wireform.
- Reconnect spark plug wire to spark plug.
- Store unit in a clean, dry area.

 **DANGER:** Never store the engine with fuel in the gas tank indoors or in enclosed, poorly ventilated areas where fumes may reach an open flame, a spark, or pilot light.

## WINTER STORAGE

 **CAUTION:** You must protect your unit from freezing temperatures. Failure to do so will permanently damage your pump and render your unit inoperable.

### To protect the unit from freezing temperatures:

- Flush detergent siphoning tube by placing the filter into a pail of clean water while running pressure washer in low pressure mode (adjustable nozzle in the forward position). Flush for one to two minutes.
- Disconnect hose connected to chemical inject fitting on the pump.
- Empty the pump of all pumped liquids by pulling recoil handle about 6 times. This should remove most of the liquid in the pump.
- Connect a 3-foot section of garden hose to the water inlet adapter. Pour RV-antifreeze (antifreeze without alcohol) into the hose. Pull the recoil handle twice. Disconnect 3-foot hose.


## LONG TERM STORAGE

If you do not plan to use the pressure washer for more than 30 days, you must prepare the engine for long term storage.

It is important to prevent gum deposits from forming in essential fuel system parts such as the carburetor, fuel filter, fuel hose or tank during storage. Also, experience indicates that alcohol-blended fuels (called gasohol, ethanol or methanol) can attract moisture, which leads to separation and formation of acids during storage. Acidic gas can damage the fuel system of an engine while in storage.

### Protect Fuel System

#### Draining Fuel Tank:

 **DANGER:** Drain fuel, using a funnel, into approved container outdoors, away from open flame. Be sure engine is cool. **Do Not** smoke.

- Remove all gasoline from carburetor and fuel tank to prevent gum deposits from forming on these parts and causing possible malfunction of engine.
- Run engine until fuel tank is empty and engine stops due to lack of fuel.

### Change Oil

While engine is still warm, drain oil from crankcase. Refill with recommended grade. See "Changing Oil".

### Oil Cylinder Bore

- Remove spark plug. Squirt about 1 ounce of clean engine oil into the cylinder. Cover spark plug hole with rag. Pull recoil handle slowly to distribute oil. Avoid spray from spark plug hole.
- Install spark plug. **Do Not** connect spark plug wire.

## OTHER

- **Do Not** store gasoline from one season to another.
- If possible, store your unit indoors and cover it to give protection from dust and dirt. **BE SURE TO EMPTY THE FUEL TANK.**

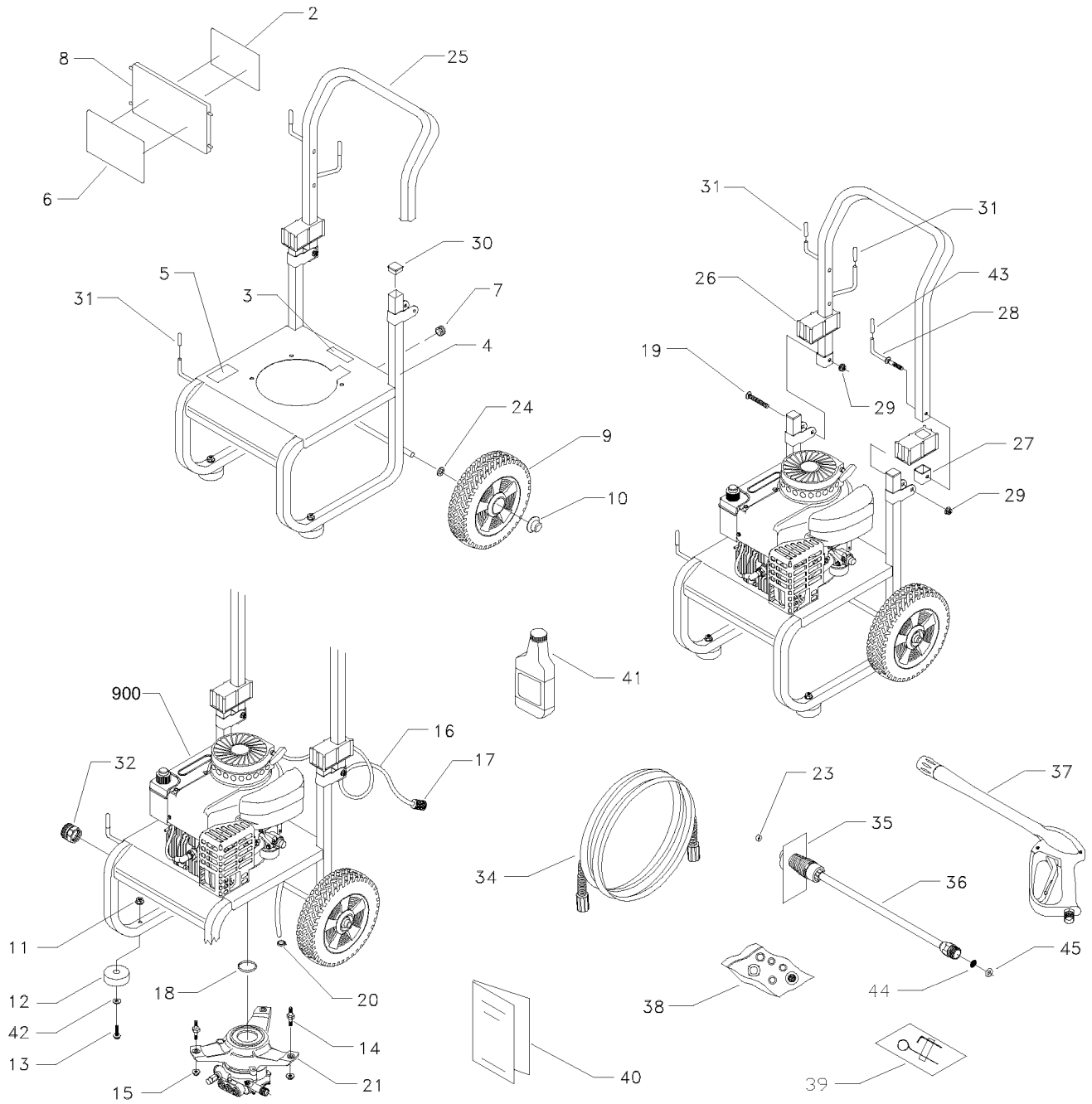
**IMPORTANT: NEVER** cover your pressure washer while engine and exhaust area are warm.

# TROUBLESHOOTING

Problem	Cause	Correction
<b>Pump has following problems: failure to produce pressure, erratic pressure, chattering, loss of pressure, low water volume.</b>	<ol style="list-style-type: none"> <li>1. Nozzle in low pressure mode.</li> <li>2. Water inlet is blocked.</li> <li>3. Inadequate water supply.</li> <li>4. Inlet hose is kinked or leaking.</li> <li>5. Clogged inlet hose strainer.</li> <li>6. Water supply is over 140°F.</li> <li>7. High pressure hose is blocked or leaks.</li> <li>8. Gun leaks.</li> <li>9. Nozzle is obstructed.</li> <li>10. Pump is faulty.</li> </ol>	<ol style="list-style-type: none"> <li>1. Pull nozzle backward for high pressure mode.</li> <li>2. Clear inlet.</li> <li>3. Provide adequate water flow.</li> <li>4. Straighten inlet hose, patch leak.</li> <li>5. Check and clean inlet hose strainer.</li> <li>6. Provide cooler water supply.</li> <li>7. Clear blocks in outlet hose.</li> <li>8. Replace gun.</li> <li>9. Clean nozzle.</li> <li>10. Contact Sears service facility.</li> </ol>
<b>Detergent fails to mix with spray.</b>	<ol style="list-style-type: none"> <li>1. Detergent siphoning tube is not submerged.</li> <li>2. Chemical filter is clogged.</li> <li>3. Nozzle is in high pressure mode.</li> </ol>	<ol style="list-style-type: none"> <li>1. Insert detergent siphoning tube into detergent.</li> <li>2. Clean or replace filter/detergent siphoning tube.</li> <li>3. Push nozzle forward for low pressure mode.</li> </ol>
<b>Engine runs good at no-load but “bogs” when load is added.</b>	Engine speed is too slow.	Move throttle control to FAST position. If engine still “bogs down”, contact Sears service facility.
<b>Engine will not start; or starts and runs rough.</b>	<ol style="list-style-type: none"> <li>1. Low oil level.</li> <li>2. Dirty air cleaner.</li> <li>3. Out of gasoline.</li> <li>4. Stale gasoline.</li> <li>5. Spark plug wire not connected to spark plug.</li> <li>6. Bad spark plug.</li> <li>7. Water in gasoline.</li> <li>8. Overchoking.</li> <li>9. Excessively rich fuel mixture.</li> <li>10. Intake valve stuck open or closed.</li> <li>11. Engine has lost compression.</li> </ol>	<ol style="list-style-type: none"> <li>1. Fill crankcase to proper level.</li> <li>2. Clean or replace air cleaner.</li> <li>3. Fill fuel tank.</li> <li>4. Drain gas tank; fill with fresh fuel.</li> <li>5. Connect wire to spark plug.</li> <li>6. Replace spark plug.</li> <li>7. Drain gas tank; fill with fresh fuel.</li> <li>8. Open choke fully and crank engine.</li> <li>9. Contact Sears service facility.</li> <li>10. Contact Sears service facility.</li> <li>11. Contact Sears service facility.</li> </ol>
<b>Engine shuts down during operation.</b>	<ol style="list-style-type: none"> <li>1. Out of gasoline.</li> <li>2. Low oil level.</li> </ol>	<ol style="list-style-type: none"> <li>1. Fill fuel tank.</li> <li>2. Fill crankcase to proper level.</li> </ol>
<b>Engine lacks power.</b>	Dirty air filter.	Replace air filter.
<b>Engine “hunts” or falters.</b>	Choke is opened too soon.	Move choke to halfway position until engine runs smoothly.

# PARTS

## CRAFTSMAN 2,100PSI Pressure Washer 580.768310 Main Unit — Exploded View

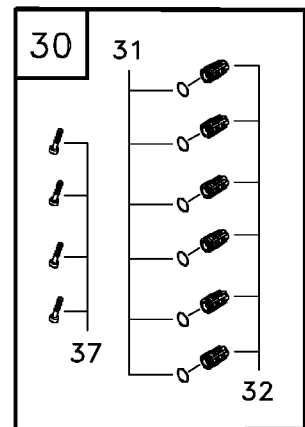
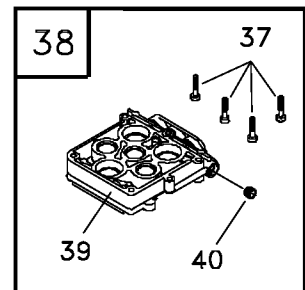
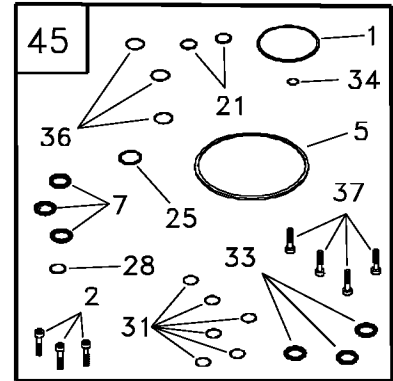
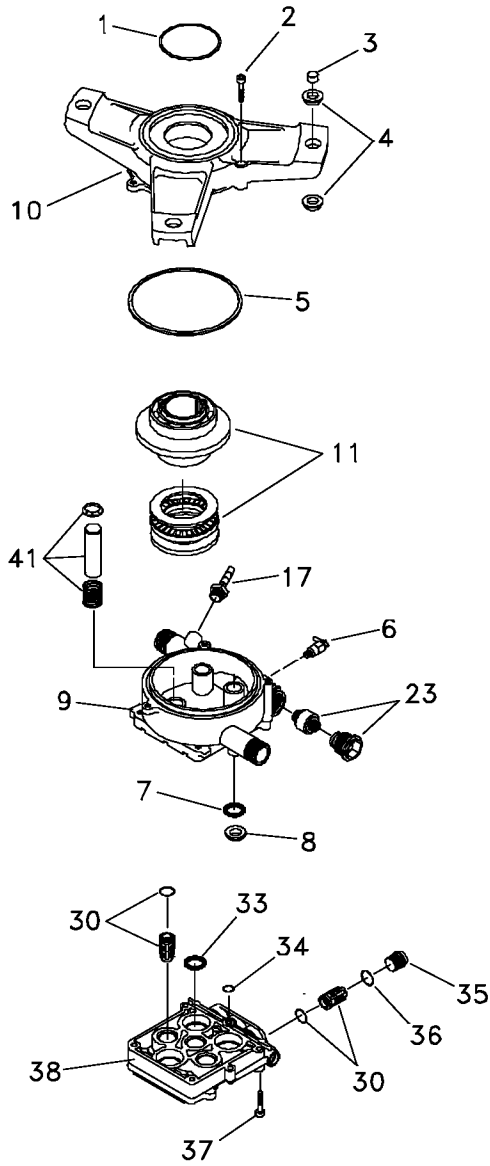
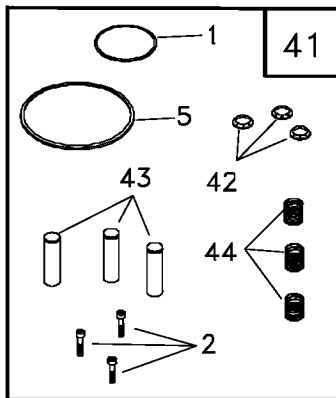
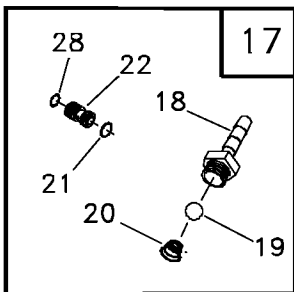
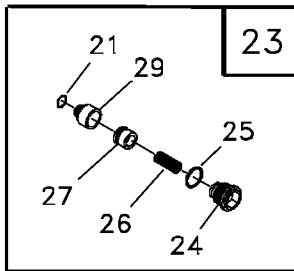
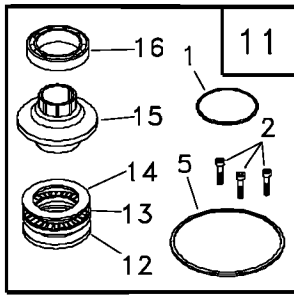




**CRAFTSMAN 2,100 PSI Pressure Washer 580.768310  
Main Unit — Parts List**

Item	Part #	Qty.	Description
2	B5833	1	DECAL, Instructions
3	96307	1	DECAL, 1-800 Number
4	EB5647	1	BASE, Powder Green
5	NSP	1	DECAL, Data
6	B5668	1	DECAL, Unit
7	30809	1	GROMMET, Chemical Hose
8	B1631B	1	BILLBOARD
9	B2142	2	TIRE, 2" x 9" Plastic
10	75402	2	PUSHNUT, 1/2"
11	52858	2	NUT, M8 Locking Flange
12	27007	2	MOUNT, Vibration
13	39288	2	HHCS, M8 - 1.25 x 55
14	B1735	3	STUD, Double Ended
15	B1880	3	NUT, with Washer
16	A1040B	1	HOSE, Chemical
17	A1041	1	FILTER, Chemical Hose
18	98300	1	SEAL, Engine Donut
19	31669	1	CARRIAGE BOLT, 1/4" - 20 x 1 3/4"
20	48031G	1	CLAMP, Hose
21	B3468A	1	ASSY., Pump (See pages 18-19)
23	94804	1	NOZZLE, Replacement
24	49808	2	WASHER, M12 Flat
25	EB5653	1	HANDLE, Powder Green
26	B1779	2	COVER, Hinge
27	B2347	2	CAP, End
28	B2759	1	HOOK, Chemical Bottle
29	B2071	2	NUT, 1/4"-20 Locking Flange
30	46476	2	CAP, Plug
31	B2516	3	CAP, Vinyl
32	21424	1	CONNECTOR, Garden Hose
34	B5693	1	HOSE, 1/4" x 25'
35	97566	1	TAG, Nozzle Instructions
36	B3335A	1	WAND, Adjustable Nozzle
37	B3263	1	GUN, High Pressure
38	B5830	1	KIT, Maintenance
39	B3708	1	KIT, Nozzle, Cleaning
40	B5656	1	MANUAL
41	AB3061B	1	OIL, Engine
42	50190	2	WASHER, Flat, .34" x 1"
43	B1460	1	CAP, Vinyl
44	B4224	1	SCREEN, Gun Inlet
45	97837	1	O-RING, Hi - Pressure
900	NSP	1	ENGINE (See pages 20-23)

**CRAFTSMAN 2,100 PSI Pressure Washer 580.768310  
Pump — Exploded View**

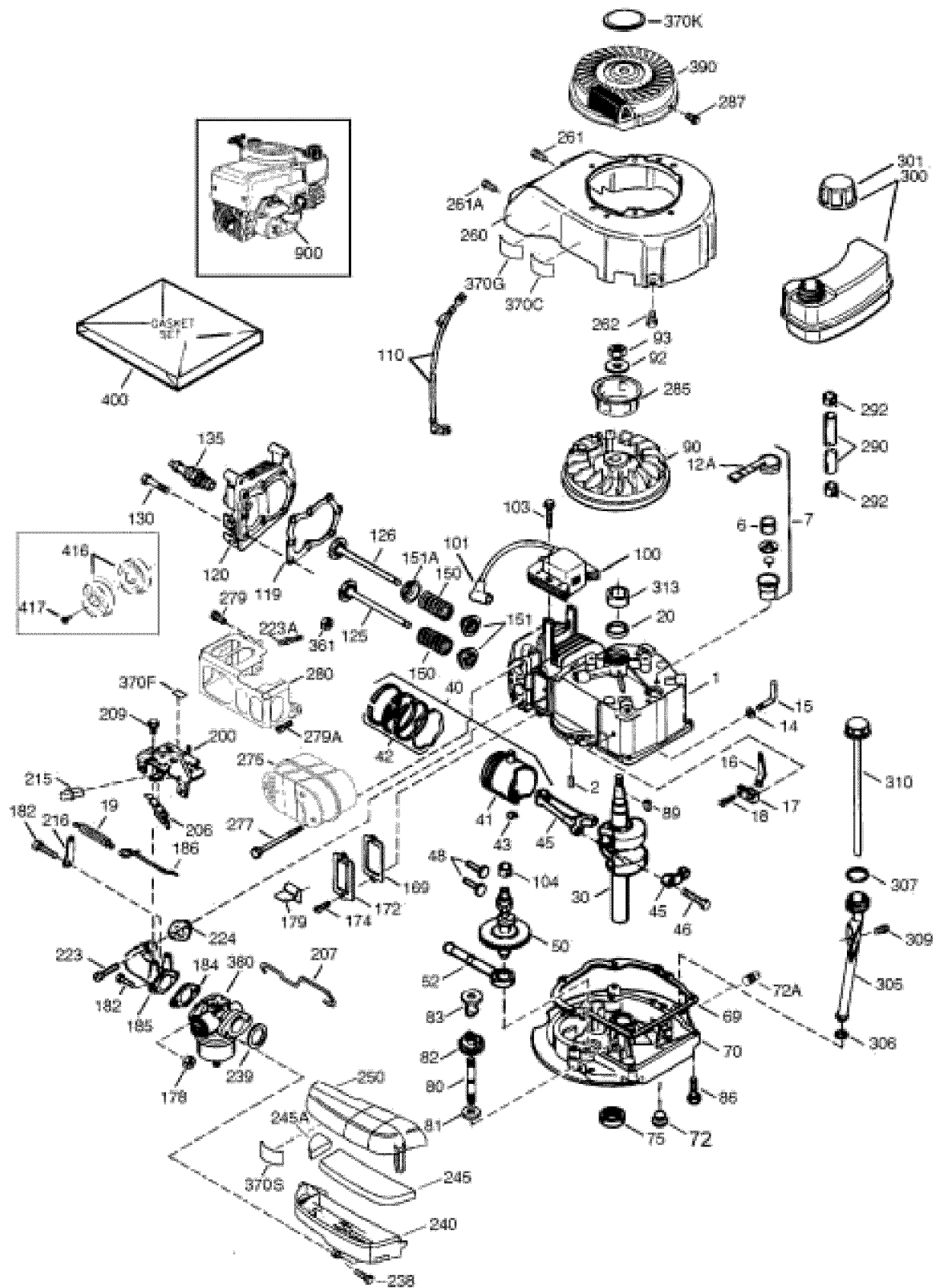


**CRAFTSMAN 2,100PSI Pressure Washer 580.768310  
Pump — Parts List**

Item	Part #	Qty.	Description	Item	Part #	Qty.	Description
1	98300	1	SEAL, Engine Donut	33	B3286	3	SEAL, Double-Lip
2	97962	3	SHCS, M6 - 1 x 25	34	97837	1	O-RING, Hi-Pressure Transfer
3	96795	3	SLEEVE, Grommet Spacer	35	97841	3	CAP, Outlet Check Valve
4	21429	6	BUSHING, Rubber Mount	36	97840	3	O-RING, Outlet CV Cap
5	97835	1	O-RING, Housing Seal	37	40946	4	SHCS, M6-1.0 x 35
6	21783	1	THERMAL RELIEF	38	B4186	0	KIT, HEAD CASTING SFG
7	93680	3	SEAL, Oil Piston 15 TC4	37	.....	4	SHCS, M6-1.0 x 35
8	97831	3	SPACER, Pilot	39	.....	1	HEAD, Pump
9	B2702	1	HOUSING, Piston	40	.....	1	PLUG, 1/8-28 W/VIBR
10	98227	1	ADAPTER, Engine	41	B2312	0	KIT, PISTON & SPRING
11	B2310	0	KIT, AXIAL CAM SERV	1	.....	1	SEAL, Engine Donut
1	.....	1	SEAL, Engine Donut	2	.....	3	SHCS, M6 - 1 x 25
2	.....	3	SHCS, M6 - 1 x 25	5	.....	1	O-RING, Housing Seal
5	.....	1	O-RING, Housing Seal	42	.....	3	RETAINER, Piston Spring
12	.....	1	WASHER, Brg. 36 x 65 x 6Thk	43	.....	3	PISTON, Dia. 15 x 65
13	.....	1	ASSY., Brg. Cage 45 x 65	44	.....	3	SPRING, Piston Return
14	.....	1	WASHER, Brg. 45 x 65 x 1	45	B1933	0	KIT, O-RING/SEAL SERV
15	.....	1	CAM, Axial 5.6 VS	1	.....	1	SEAL, Engine Donut
16	.....	1	BALL BEARING, 35 x 72 x 17	2	.....	3	SHCS, M6 - 1 x 25
17	185287	0	KIT, CHEM INJECT	5	.....	1	O-RING, Housing Seal
18	.....	1	FITTING, Chem Inject	7	.....	3	SEAL, Oil Piston 15 TC4
19	.....	1	BALL, Chem Inject	21	.....	2	O-RING, Venturi & Seat, Black
20	.....	1	SPRING, Chem Inject	25	.....	1	O-RING, Unloader Cap
21	.....	1	O-RING, Venturi & Seat, Black	28	.....	1	O-RING, Venturi, Yellow
22	.....	1	VENTURI, Chem Inject	31	.....	6	O-RING, Check Valve
28	.....	1	O-RING, Venturi, Yellow	33	.....	3	SEAL, Double-Lip
23	185711	0	KIT, UNLOADER	34	.....	1	O-RING, High Pressure Transfer
21	.....	1	O-RING, Venturi & Seat, Black	36	.....	3	O-RING, Outlet CV Cap
24	.....	1	CAP, Unloader	37	.....	4	SHCS, M6-1.0 x 35
25	.....	1	O-RING, Unloader Cap				
26	.....	1	SPRING, 2000 Unloader				
27	.....	1	PISTON, Unloader				
29	.....	1	SEAT, 2000 Unloader				
30	B3513	0	KIT, CHECK VALVES				
31	.....	6	O-RING, Check Valve				
32	.....	6	ASSY., Check Valve				
37	.....	4	SHCS, M6-1.0 x 35				

Item numbers 11, 17, 23, 30, 38, 41, and 45 are service kits and include all parts shown within the box. Items previously described are not listed under the service kit number. Certain items are available only as a part of a kit.

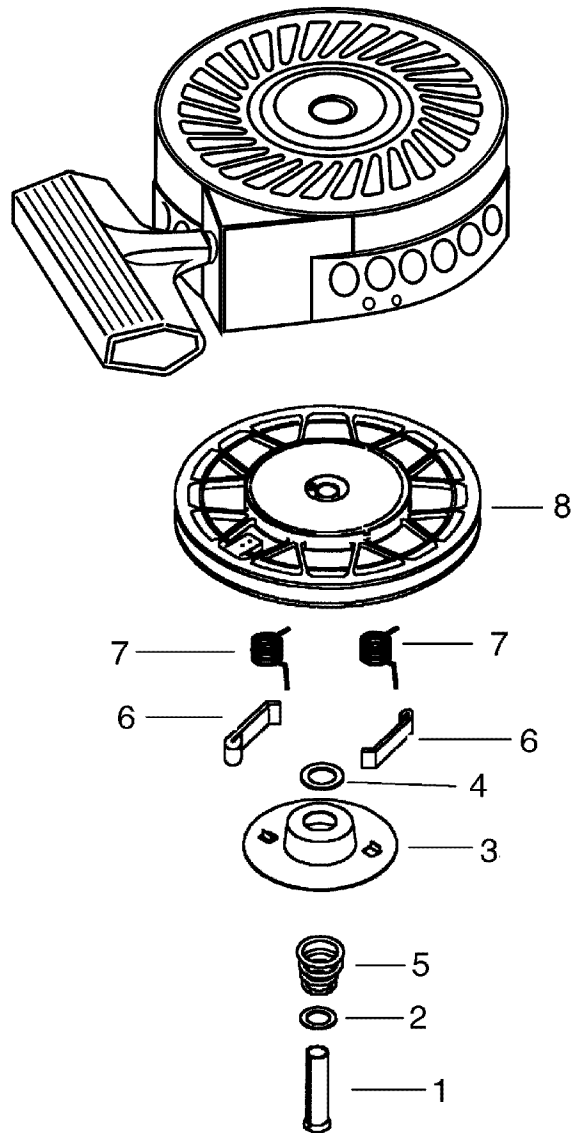
ENGINE, 6.25 HP, Tecumseh, 143.006204 – Exploded View - Engine



## ENGINE, 6.25 HP, Tecumseh, 143.006204 – Parts List - Engine

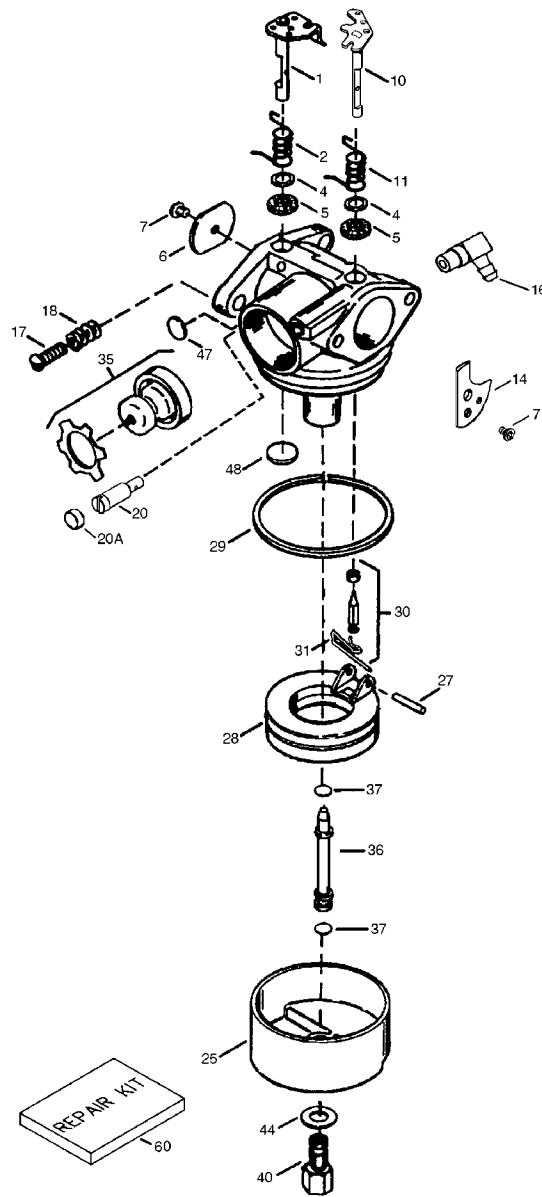
Item	Part #	Qty.	Description	Item	Part #	Qty.	Description
1	37465	1	Cylinder	174	30200	2	Screw, 10-24 x 9/16"
2	26727	2	Dowel Pin	178	29752	2	Nut & Lock Washer, 1/4-28
6	33734	1	Breather Element	179	30593	1	Retainer Clip
7	36557	1	Breather Ass'y.	182	6201	2	Screw, 1/4-28 x 7/8"
12A	36558	1	Breather Cover & Tube	184	26756	1	Carburetor To Intake Pipe Gasket
14	28277	1	Washer				
15	30589	1	Governor Rod	185	37466	1	Intake Pipe
16	34839A	1	Governor Lever	186	32653	1	Governor Link
17	31335	1	Governor Lever Clamp	200	37267	1	Control Bracket
18	651018	1	T-15, 8-32 x 19/64" Screw, Torx	206	610973	1	Terminal
				207	34336	1	Throttle Link
19	33578	1	Extension Spring	209	30200	2	Screw, 10-32 x 9/16"
20	32600	1	Oil Seal	215	32410	1	Control Knob
30	37479	1	Crankshaft	216	33086	1	R.P.M. Adjusting Lever
40	40027	1	Piston, Pin & Ring Set (Std.)	223	650451	2	Screw, 1/4-20 x 1"
40	40028	1	Piston, Pin & Ring Set (.010" OS)	223A	651074	1	Intake Pipe Stud
				224	36786	1	Intake Pipe Gasket
41	40025	1	Piston & Pin Ass'y. (Std.)	238	650806	2	Screw, 10-32 x 5/8"
41	40026	1	Piston & Pin Ass'y. (.010" OS)	239	34338	1	Air Cleaner Gasket
42	40006	1	Ring Set (Std.)	240	37115	1	Air Cleaner Body (Black)
42	40007	1	Ring Set (.010" OS)	245	37116	1	Air Filter (Poly)
43	20381	2	Piston Pin Retaining Ring	245A	37117	1	Breather Filter (Poly)
45	36777	1	Connecting Rod Ass'y.	250	37118	1	Air Cleaner Cover (Black)
46	32610A	2	Connecting Rod Bolt	260	37497	1	Blower Housing
48	27241	2	Valve Lifter	261	30200	1	Screw, 10-24 x 9/16"
50	37460	1	Camshaft	261A	650737	1	Screw, Torx T-30, 1/4-20 x 3/8"
52	29914	1	Oil Pump Ass'y.				
69	37130	1	Mounting Flange Gasket	262	650831	2	Screw, 1/4-20 x 1/2"
70	34311E	1	Mounting Flange	275	37498A	1	Muffler
72	36083	1	Oil Drain Plug	277	650988	2	Screw, 1/4-20 x 2-5/16"
72A	28534	1	Oil Drain Plug	279	30200	1	Screw, 10-24 x 9/16"
75	27897	1	Oil Seal	279A	650902	1	Screw, 10-32 x 7/16"
80	30574A	1	Governor Shaft	280	37499	1	Heat Shield
81	30590A	1	Washer	285	35287A	1	Starter Cup
82	30591	1	Governor Gear Ass'y.	287	650926	2	Screw, 8-32 x 21/64"
83	30588A	1	Governor Spool	290	34357	1	Fuel Line
86	650488	6	Screw, 1/4-20 x 1-1/4"	292	26460	2	Fuel Line Clamp
89	610961	1	Flywheel Key	298	28763	3	Screw, 10-32 x 35/64"
90	611213	1	Flywheel	300	34476a	1	Tank Fuel
92	650815	1	Belleville Washer	301	33032	1	Fuel Cap
93	650816	1	Flywheel Nut	305	35577	1	Oil Fill Tube
100	34443B	1	Solid State Ignition	306	36996	1	"O"-Ring
101	610118	1	Spark Plug Cover	307	35499	1	"O"-Ring
103	651007	2	Screw, Torx T-15, 10-24 x 15/16"	309	650562	1	Screw, 10-32 x 1/2"
				310	35578	1	Dipstick
104	37480	1	Cam Bushing	313	34080	1	Spacer
110	36230	1	Ground Wire	361	651075	1	Lock Nut
119	36787	1	Cylinder Head Gasket	370A	36261	1	Lubrication Decal
120	36825	1	Cylinder Head	370C	37318	1	Primer Decal (3X)
125	37288	1	Exhaust Valve (Std.)	370G	37500	1	Instruction Decal
126	37289	1	Intake Valve (Std.)	370K	36695	1	Starter Decal
130	6021A	8	Screw, 5/16-18 x 1-1/2"	380	640276	1	Carburetor
135	35395	1	Resistor Spark Plug (RJ19LM)	390	590763	1	Rewind Starter
150	31672	2	Valve Spring	400	36792B	1	Gasket Set
151	31673	2	Valve Spring Cap	416	36085	1	Spark Arrester Kit (Optional)
151A	40017	1	Intake Valve Seal	417	650821	1	Screw, 10-32 x 1/2" (Optional)
169	36783	1	Valve Cover Gasket	900	0	0	Replacement Engine NONE
172	36784	1	Valve Cover				

**ENGINE, 6.25 HP, Tecumseh, 143.006204 – Exploded View and Parts List - Recoil**



Item	Part #	Qty.	Description	Item	Part #	Qty.	Description
0	590763	1	Rewind Starter	6	590698	2	Starter Dog
1	590599A	1	Spring Pin	7	590699	2	Dog Spring
2	590600	1	Washer	8	590700	1	Pulley & Rewind Spring Ass'y
3	590696	1	Retainer	11	590764	1	Starter Housing Ass'y.
4	590601	1	Washer	12	590535	1	Starter Rope
5	590697	1	Brake Spring	13	590701	1	Starter Handle

# ENGINE, 6.25 HP, Tecumseh, 143.006204 – Exploded View and Parts List - Carburetor



Item	Part #	Qty.	Description	Item	Part #	Qty.	Description
0	640276	1	Carburetor	20	640027	1	Idle Restrictor Screw
1	631615	1	Throttle Shaft & Lever Assembly	20A	640053	1	Idle Restrictor Screw Cap
2	631767	1	Throttle Return Spring	25	631867	1	Float Bowl
4	631184	2	Dust Seal Washer	27	631024	1	Float Shaft
5	631183	2	Dust Seal	28	632019	1	Float
6	640070	1	Throttle Shutter	29	631028	1	Float Bowl "O" Ring
7	650506	2	Shutter Screw	30	631021	1	Inlet Needle, seat & Clip
10	630973	1	Choke Shaft & Lever Assembly	31	631022	1	Spring Clip
11	632045	1	Choke Return Spring	35	36045A	1	Primer Bulb/Retainer Ring
14	632790	1	Choke Shutter	36	632745	1	Main Nozzle Tube
16	631807	1	Fuel Fitting	37	632547	2	"O" Ring, Main Nozzle Tube
17	651025	1	Throttle Crack Screw/Idle Speed Screw	40	640032	1	High Speed Bowl Nut
18	630766	1	Tension Spring	44	27110A	1	Bowl Nut Washer
				47	630748	1	Welch Plug, Idle Mixture Well
				48	631027	1	Welch Plug, Atmospheric Vent
				60	632760	1	Repair kit

# EMISSION CONTROL WARRANTY STATEMENT

## Your Warranty Rights and Obligations

The California Air Resources Board ("CARB") and Sears Roebuck and Co., USA, are pleased to explain the Emission Control System Warranty on your model year 2000 and later small off-road engine (engine). In California, new engines must be designed, built and equipped to meet the State's stringent anti-smog standards. Sears must warrant the emission control system on your engine for the periods of time listed below provided there has been no abuse, neglect, or improper maintenance of your engine.

Your emission control system includes parts such as the carburetor and the ignition system.

Where a warrantable condition exists, Sears will repair your engine at no cost to you. Expenses covered under warranty include diagnosis, parts, and labor.

## Manufacturer's Warranty Coverage

The model year 2000 and later engines are warranted for two years. If any emission related part on your engine (as listed below) is defective, the part will be repaired or replaced by Sears.

## Owner's Warranty Responsibilities

As the engine owner, you are responsible for the performance of the required maintenance listed in this owners manual. Sears recommends that you retain all receipts covering maintenance on your engine, but Sears cannot deny warranty solely due for the lack of receipts or for your failure to ensure the performance of all scheduled maintenance.

As the engine owner, you should be aware that Sears may deny you warranty coverage if your engine or a part of it has failed due to abuse, neglect, improper maintenance, unapproved modifications, or the use of parts not made or approved by the original equipment manufacturer.

You are responsible for presenting your engine to a Sears authorized repair center as soon as a problem exists. Warranty repairs should be completed in a reasonable amount of time, not to exceed 30 days.

If you have any questions regarding your warranty rights and responsibilities, you should contact your nearest authorized service center or call Sears at 1-800-473-7247.

## Warranty Commencement Date

The warranty period begins on the date the engine is delivered.

## Length of Coverage

Sears warrants to the initial owner and each subsequent purchaser that the engine is free from defects in materials and workmanship which cause the failure of a warranted part for a period of two years.

## WHAT IS COVERED

### Repair or Replacement of Parts

- Repair or replacement of any warranted part will be performed at no charge to the owner at an approved Sears service center.

- If you have any questions regarding your warranty rights and responsibilities, you should contact your nearest authorized service center or call Sears at 1-800-473-7247.

## Warranty Period

Any warranted part which is not scheduled for replacement as required maintenance, or which is scheduled only for regular inspection to the effect of "repair or replace as necessary" shall be warranted for 2 years. Any warranted part which is scheduled for replacement as required maintenance shall be warranted for the period of time up to the first scheduled replacement point for that part.

## Diagnosis

The owner shall not be charged for diagnostic labor which leads to the determination that the warranted part is defective if the diagnostic work is performed at an approved Sears service center.

## Consequential Damages

Sears may be liable for damages to other engine components caused by the failure of a warranted part still under warranty.

## WHAT IS NOT COVERED

All failures caused by abuse, neglect, or improper maintenance are not covered.

## Add-on or Modified Parts

The use of add-on or modified parts can be grounds for disallowing a warranty claim. Sears is not liable to cover failures of warranted parts caused by the use of add-on or modified parts.

## How to File a Claim

If you have any questions regarding your warranty rights and responsibilities, you should contact your nearest authorized service center or call Sears at 1-800-473-7247.

## Where to Get Warranty Service

Warranty services or repairs shall be provided at all Sears authorized service centers.

## Maintenance, Replacement and Repair of Emission Related Parts

Any Sears approved replacement part used in the performance of any warranty maintenance or repair on emission related parts will be provided without charge to the owner if the part is under warranty.

## Emission Control Warranty Parts List

1. Carburetor Assembly
2. Ignition System
  - a. Spark Plug, covered up to maintenance schedule.
  - b. Ignition Module
3. Crankcase Breather Tube
4. Exhaust Manifold



# TABLA DE CONTENIDOS

GARANTIA .....	.25	ESPECIFICACIONES .....	.33
INSTRUCCIONES DE SEGURIDAD .....	.25-26	ALMACENAMIENTO .....	.37
MONTAJE .....	.27-28	REPARACION DE DAÑOS .....	.38
OPERACION .....	.29-32	GARANTIA DEL CONTROL DE EMISIONES .....	.39
MANTENIMIENTO .....	.33-36	COMO ORDENAR PARTES .....	PAGINA POSTERIOR

## GARANTÍA

### GARANTIA LIMITADA DE LA MAQUINA LAVADORA DE ALTA PRESION CRAFTSMAN

Durante un año a partir de la fecha de compra, Sears reparará, sin cargo alguno, cualquier defecto en material y mano de obra, siempre y cuando esta máquina lavadora de alta presión Craftsman haya sido mantenida y puesta en funcionamiento de acuerdo a las instrucciones suministradas en el manual del propietario.

Si esta máquina lavadora es usada para fines comerciales, la garantía se aplicará tan solo por 90 días a partir de la fecha de compra. Si esta máquina lavadora de alta presión es usada para alquiler, la garantía se aplicará tan solo por 30 días después de la fecha de compra.

Esta garantía no cubre:

- Elementos perecederos como bujías o filtros de aire, los cuales se desgastan con el uso normal.
- Reparaciones necesarias debido al abuso o negligencia del operador, incluyendo daños ocasionados por la ausencia de suministro de agua a la bomba o por no mantener el equipo de acuerdo a las instrucciones contenidas en el manual del propietario.

El servicio de garantía se hace efectivo devolviendo la máquina lavadora de alta presión al centro de servicio o distribuidor Sears mas cercano en los Estados Unidos.


Esta garantía le proporciona derechos legales específicos; usted también puede tener otros derechos, los cuales varían de estado a estado.


Sears, Roebuck and Co., Dept. 817 WA, Hoffman Estates, IL 60179


## INSTRUCCIONES DE SEGURIDAD


### **ADVERTENCIA:**

**El escape del motor de este producto contiene elementos químicos reconocidos en el Estado de California por producir cáncer, defectos de nacimiento u otros daños de tipo reproductivo.**

 **¡PRECAUCION!** Cuando transporte, instale, ajuste o haga reparaciones a su máquina lavadora de alta presión, siempre desconecte el alambre de la bujía y colóquelo donde **No** pueda entrar en contacto con la bujía.

 **¡PELIGRO!** Los gases del sistema de escape del motor contienen gas de monóxido de carbono **MORTAL**. Si este gas peligroso se inhala en concentraciones suficientes, puede causar pérdida de la consciencia o incluso la muerte. Opere este equipo únicamente al aire libre, donde exista ventilación adecuada.

 **ESTE ES EL SIMBOLO DE ALERTA DE SEGURIDAD. ES USADO PARA INDICARLE SITUACIONES CON PELIGROS POTENCIALES DE LESION PARA EL PERSONAL. SIGA LAS INSTRUCCIONES DE TODOS LOS MENSAJES DE SEGURIDAD QUE APARECEN DESPUES DE ESTE SIMBOLO PARA EVITAR POSIBLES LESIONES O MUERTE.**

 **¡PELIGRO!** La gasolina es altamente **INFLAMABLE** y sus vapores son **EXPLOSIVOS**. **No** permita que fumen, que existan llamas abiertas, chispas o calor a su alrededor cuando manipule gasolina. Evite regar gasolina sobre un motor caliente. Permita que la unidad se enfríe antes de volver a colocarle combustible. Cumpla con todas las leyes que regulan el almacenamiento y el manejo de gasolina.

**Lea este manual minuciosamente y conozca a fondo las partes y el funcionamiento de su máquina lavadora a presión. Conozca sus aplicaciones, sus limitaciones y los peligros involucrados.**

- Coloque esta máquina lavadora a presión en áreas alejadas de materiales combustibles, humos o polvo combustibles.
- El equipo de alta presión está diseñado para ser utilizado **UNICAMENTE** con las partes autorizadas Sears. Si utiliza este equipo con partes que **No** cumplan con las especificaciones mínimas, el usuario asume todos los riesgos y responsabilidades.

# INSTRUCCIONES DE SEGURIDAD

- Algunos químicos o detergentes pueden ser nocivos si se inhalan o ingieren, causando náusea severa, desmayos o envenenamiento. Los elementos nocivos pueden ocasionar daño a la propiedad o lesiones severas.
  - **No** permita en ningún momento que NIÑOS operen la máquina lavadora a presión.
  - Opere el motor únicamente a la velocidad de mando. Hacer funcionar el motor a velocidades excesivas aumenta el riesgo de lesiones personales. **No** juegue con partes que puedan aumentar o disminuir la velocidad de mando.
  - **No** use ropa suelta, joyas o elementos que puedan quedar atrapados en el arranque o en otras partes rotatorias.
  - Antes de poner en marcha la máquina lavadora a presión en clima frío, revise todas las partes del equipo y asegúrese de que no se haya formado hielo sobre ellas.
  - Nunca utilice una pistola de rociado que **No** tenga un seguro para gatillo o protección para gatillo en su lugar y en buenas condiciones.
  - Mantenga conectada la manguera a la máquina o a la pistola de rociado cuando el sistema esté presurizado. Es peligroso desconectar la manguera cuando la unidad está presurizada.
  - NUNCA deberán ser operadas las unidades con partes rotas o ausentes, o sin la caja o cubiertas de protección.
  - Revise que el sistema de combustible **No** presente fugas o signos de deterioro, como mangueras desgastadas o porosas, sujetadores flojos o ausentes, tapa o tanque dañados. Corrija todos los defectos antes de operar la máquina lavadora a presión.
  - **No** rocíe líquidos inflamables.
  - Utilice un respirador o máscara siempre que exista la posibilidad de inhalar vapores. Lea todas las instrucciones de la máscara para asegurarse de que le brindará la protección necesaria contra la inhalación de vapores nocivos.
  - Nunca apunte la pistola a la gente, animales o plantas. La corriente de agua de alta presión que produce este equipo pueden perforar la piel y sus tejidos profundos, ocasionando lesiones serias y posible amputación.
  - Nunca permita que partes del cuerpo entren en contacto con la corriente del fluido. **No** entre en contacto con la corriente del fluido creada por una fuga en la manguera de alta presión.
  - Siempre use protección para los ojos cuando utilice este equipo o cuando esté cerca de donde se esté usando el equipo.
  - El rociado de alta presión puede hacer que partículas pequeñas de pintura u otras partículas salgan disparadas y viajen a altas velocidades.
  - **No** opere la máquina lavadora a presión con un valor de presión superior a su clasificación de presión.
  - Nunca mueva la máquina halando la manguera de alta presión. Utilice la manija que viene con la unidad.
  - Siempre asegúrese de que la pistola de rociado, boquillas y accesorios estén conectados correctamente.
  - **No** asegure la pistola de rociado en la posición (open = abierto).
  - El rociado de alta presión puede dañar elementos frágiles, incluyendo el vidrio. **No** apunte la pistola de rociado al vidrio cuando esté en el modo de rociado a chorro.
  - Sostenga firmemente en su mano la manguera de rociado antes de poner en marcha la unidad. De **No** hacerlo, podrían ocurrir lesiones por el movimiento brusco de la pistola de rociado. **No** abandone la pistola de rociado cuando la máquina esté en funcionamiento.
  - El área de limpieza deberá tener inclinaciones y drenajes adecuados para disminuir la posibilidad de caídas debido a superficies resbalosas.
  - Mantenga el chorro del agua alejado de alambros eléctricos, de lo contrario podrían ocurrir descargas eléctricas fatales.
  - **No** eluda ningún dispositivo de seguridad de esta máquina.
  - El silenciador y el motor se calientan durante el funcionamiento y permanecen calientes inmediatamente después del apagado. Evite el contacto con silenciadores o motores calientes, o podría quemarse severamente.
  - Opere y almacene esta unidad sobre una superficie estable.
  - La manguera de alta presión puede desarrollar fugas debido al desgaste, dobleces, abuso, etc. El agua que sale de una fuga es capaz de inyectar materiales en la piel. Inspeccione la manguera siempre que la vaya a usar. Revise todas las mangueras para ver si presentan cortes, fugas, abrasiones o deformación de la cubierta, daño o movimiento de acoplamientos. Si existe cualquiera de estas condiciones, reemplace la manguera inmediata-mente. Nunca repare la manguera de alta presión. Reemplacela con una manguera que tenga la misma capacidad de presión máxima de su unidad.
  - El silenciador y el depurador de aire deberán estar instalados y en buenas condiciones antes de operar la máquina lavadora a presión. Estos componentes actúan como apagachispas si el motor presenta contrafuegos.
- En el estado de California es obligatorio, según la ley, el uso de apagachispas (Sección 4442 del Código de Recursos Públicos de California). Otros estados pueden tener leyes similares. Las leyes federales se aplican en tierras federales.
- NOTA:** Si equipa el silenciador con un apagachispas, este deberá ser mantenido en buenas condiciones de trabajo. Usted puede ordenar el apagachispas a través de su distribuidor de servicio autorizado Sears.

# MONTAJE

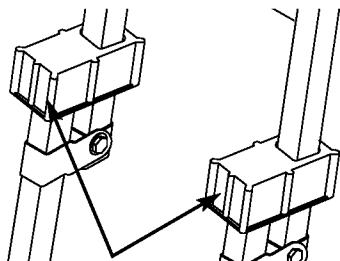
Su máquina lavadora a presión requiere de cierto ensamble y estará lista para ser usada únicamente después de haber depositado el combustible y el aceite recomendado.

**Si tiene problemas con el ensamble de su máquina lavadora a presión, llame a la línea de ayuda de la máquina lavadora a presión al 1-800-222-3136.**

**IMPORTANTE:** Cualquier intento de hacer funcionar el motor sin haber depositado el aceite recomendado resultará en falla del mismo.

## RETIRE LA MAQUINA LAVADORA A PRESION DE LA CAJA

- Abra la caja y corte dos esquinas opuestas a la manija guía de la parte superior a la inferior de tal forma que el panel pueda ser doblado hacia abajo.
- Retire el material de relleno y la caja de repuestos enviada con la máquina lavadora a presión.
- Saque la máquina lavadora a presión de la caja.
- Levante la manija guía, asegúrela en su sitio.



Levante la manija a la posición vertical y mueva la tapas de fijación a su sitio.

- Revise la caja para ver si existen partes sueltas adicionales.

## CONTENIDO DE LA CAJA

Revise el contenido de la caja. Si alguna de las partes **No** está presente o está dañada, llame a la línea de ayuda de la máquina lavadora a presión al **1-800-222-3136**.

- La unidad principal
- La manguera de alta presión
- Caja de partes (incluye los elementos descritos a continuación)
  - Pistola de rociado
  - Extensión para boquillas con boquilla ajustable a Alta/Baja presión
  - Aceite para motor
  - Manual del operador
  - Juego para limpiar boquillas
  - Juego de anillos 'O'

Familiarícese con cada parte antes de ensamblar la máquina lavadora a presión. Compare el contenido con la ilustración de la página 29. Si alguna de las partes **No** está presente o se encuentra dañada, llame a la línea de ayuda de la máquina lavadora a presión al **1-800-222-3136**.

## MONTAJE DE LA MAQUINA LAVADORA A PRESION

La gran mayoría de su máquina lavadora a presión Craftsman ha sido ensamblada en la fábrica. Sin embargo, usted deberá llevar a cabo los siguientes procedimientos antes de poner en funcionamiento su máquina lavadora a presión:

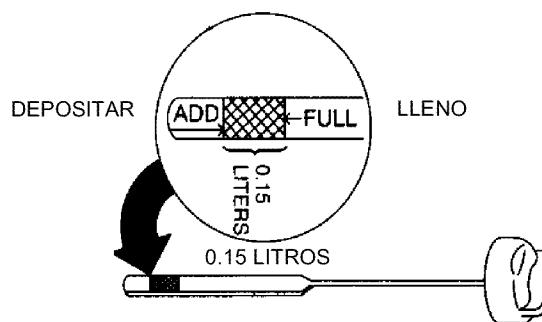
- Deposite aceite en la caja del cigüeñal del motor.
- Deposite combustible en el tanque.
- Conecte la manguera de alta presión a la pistola de rociado y a la bomba.
- Conecte el suministro de agua a la bomba.

### Agregue Aceite de Motor

**IMPORTANTE:** Cualquier intento de hacer girar o arrancar el motor antes de que se haya depositado el aceite recomendado puede resultar en falla del motor.

**NOTA:** Cuando agregue aceite a la caja del cigüeñal del motor, use únicamente aceite detergente de alta calidad con clasificación de servicio API SF,SH, SG o SH/CD de peso 30 SAE.

- Coloque la máquina lavadora a presión en una superficie nivelada.
- Limpie el área alrededor del llenado de aceite.
- Retire el tapón del orificio de llenado y la varilla de medición.
- Limpie la varilla de medición, insértela en el orificio de llenado y apriete firmemente; retire la varilla de medición. Deposite el aceite recomendado hasta la marca "Full" ("Lleno") de la varilla de medición. Deposite el aceite lentamente. Limpie la varilla de medición cada vez que revise el nivel del aceite. **No llene** excesivamente.



- Instale el tapón del orificio de llenado de aceite y la varilla de medición y apriete firmemente.

**NOTA:** Revise el aceite frecuentemente durante el despegue del motor.

## Agregue Gasolina

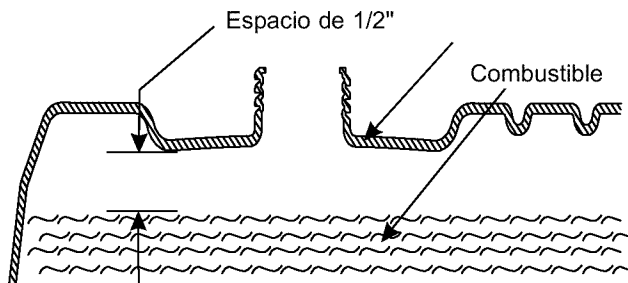


**¡PELIGRO!** Nunca llene el tanque de combustible en recintos cerrados. Nunca llene el tanque de combustible cuando el motor esté funcionando o esté caliente. **No** fume cuando esté llenando el tanque de combustible.



**¡ADVERTENCIA!** Nunca llene por completo el tanque de combustible. Deje espacio para la expansión del combustible. Limpie cualquier derrame de combustible del motor y del equipo antes de darle arranque a la unidad.

- Use combustible limpio y almacénelo en recipientes cubiertos, limpios y aprobados. Utilice embudos limpios. Nunca utilice gasolina "vieja" dejada de la estación anterior o gasolina almacenada por periodos de tiempo prolongados.
- Limpie el área alrededor de la tapa de llenado del combustible, retire la tapa.
- Agregue lentamente gasolina regular "SIN PLOMO" al tanque de combustible. Use un embudo para evitar que se derrame. Llene el tanque lentamente hasta aproximadamente  $\frac{1}{2}$ " por debajo de la parte inferior del cuello del tubo de llenado.

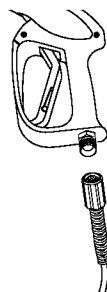


- Instale la tapa del tanque de combustible y limpie la gasolina que se haya derramado.

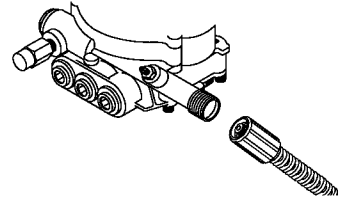
## Conecte la Manguera y el Suministro de Agua a la Bomba

**IMPORTANTE:** Usted deberá armar la extensión para boquillas y conectar todas las mangueras antes de darle arranque al motor. La bomba resultará dañada si arranca el motor sin tener todas las mangueras conectadas y el suministro agua abierto.

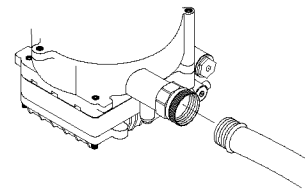
- Desenrolle la manguera de alta presión y conecte un extremo de la manguera a la base de la pistola de rociado. Apriete con la mano.



- Conecte el otro extremo de la manguera de alta presión a la salida de alta presión de la bomba. Apriete con la mano.



- Antes de que conecte la manguera de jardín a la entrada de agua, inspeccione el colador de la entrada. Limpie el colador si tiene residuos o solicite su remplazo si está dañado. **No haga funcionar la máquina lavadora a presión si el colador de la entrada está dañado.**
- Conecte la manguera de jardín a la entrada del agua. Apriete con la mano.

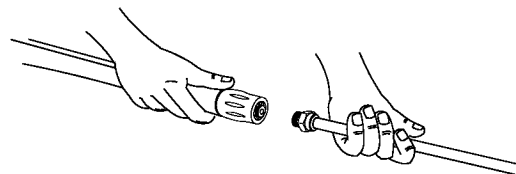


- ABRA el suministro del agua (abra la válvula de suministro completamente).
- Apriete el gatillo de la pistola para eliminar el aire y las impurezas del sistema de la bomba.



**¡PRECAUCION!** Antes de darle arranque a la máquina lavadora a presión, asegúrese de usar protección adecuada para los ojos.

- Conecte la extensión para boquillas a la pistola de rociado. Apriete con la mano.



## LISTA DE REVISION PREVIA AL ARRANQUE DEL MOTOR

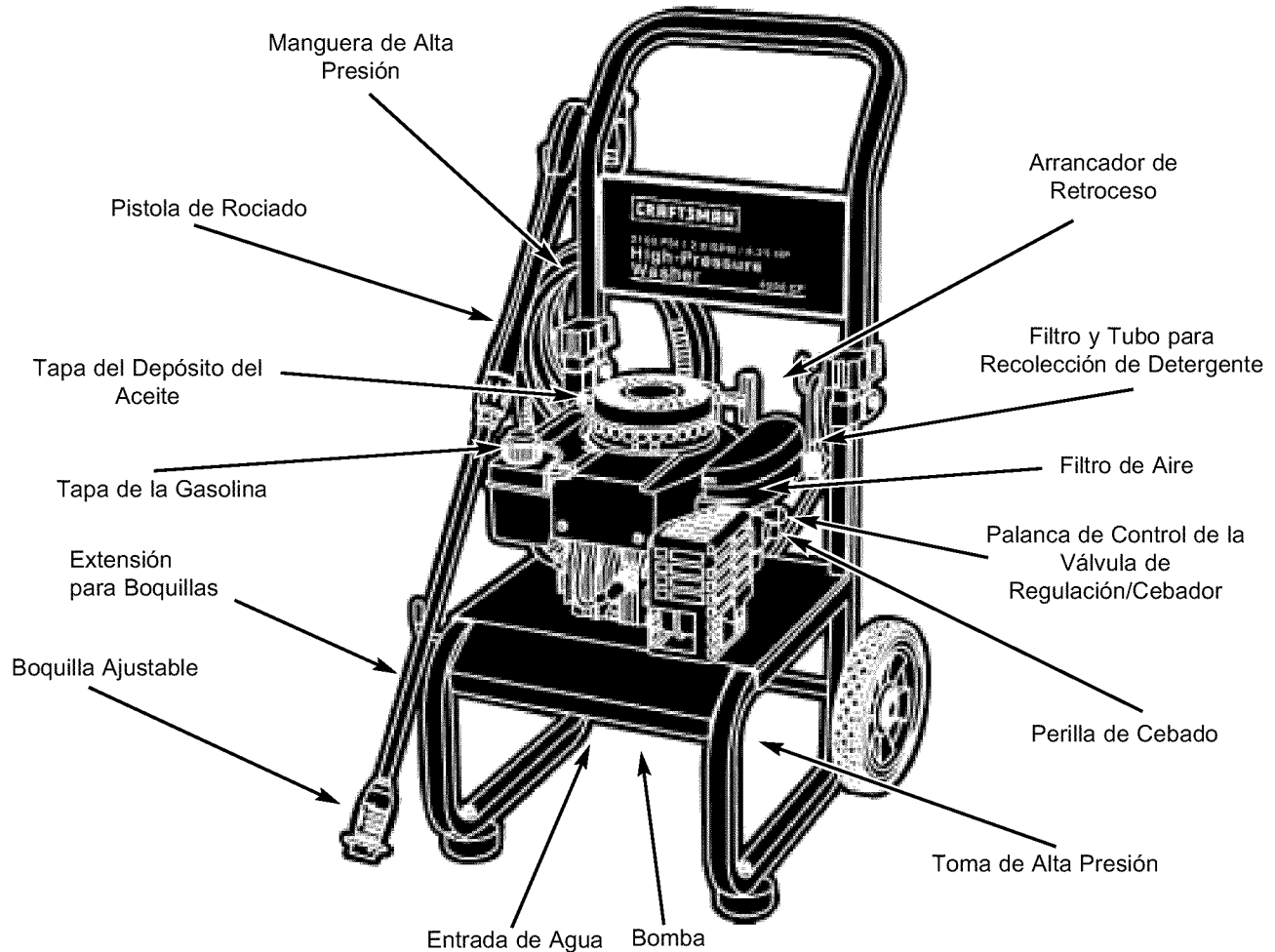
Revise la unidad para asegurarse que ha llevado a cabo los siguientes procedimientos:

- Revise que haya sido depositado aceite y esté al nivel correcto en la caja del cigüeñal del motor.
- Deposite la gasolina adecuada en el tanque del combustible.
- Revise que todas las conexiones de las mangueras (alta presión y suministro de agua) estén apretadas correctamente y que no existan dobleces, cortes o daño de la manguera de alta presión.
- Proporcione el suministro de agua adecuado (que no exceda los 140°F).
- Asegúrese de leer las secciones "Reglas de Seguridad" y "Operación" antes de usar la máquina lavadora a presión.

# OPERACION

## CONOZCA SU MAQUINA LAVADORA DE ALTA PRESION

Lea el manual del propietario y las reglas de seguridad antes de poner en marcha su máquina lavadora a presión. Compare las ilustraciones con su máquina lavadora a presión para familiarizarse con las ubicaciones de los diferentes controles y ajustes. Guarde este manual para referencias futuras.



**Arrancador de Retroceso** – Usado para el arranque del motor.

**Bomba** – Desarrolla alta presión de agua.

**Boquilla Ajustable** – Ajusta la presión a alta o baja presión; rociado a chorro o en abanico.

**Entrada de Agua** – Conexión para la manguera de jardín.

**Extensión para Boquillas** – Conectada a la pistola de rociado para un uso más conveniente.

**Filtro de Aire** – El elemento de filtro tipo seco limita la cantidad de suciedad y polvo que se introduce en el motor.

**Filtro y Tubo para Recolección de Detergente** – Usado para succionar detergente de la botella de químicos a la corriente de agua de baja presión.

**Manguera de Alta Presión** – Conecte un extremo a la pistola de rociado y el otro extremo a la toma de alta presión.

**Palanca de Control de la Válvula de Regulación/Cebador** – Coloca el motor en modo de arranque para el arrancador de retroceso y detiene el motor en funcionamiento.

**Perilla de Cebado** – Usada para el arranque de motores fríos.

**Pistola de Rociado** – Controla la aplicación de agua sobre la superficie de limpieza con el gatillo. Incluye cerrojo de seguridad.

**Tapa de la Gasolina** – Llene el tanque del combustible con gasolina regular sin contenido de plomo en este punto.

**Tapa del Depósito del Aceite** – Llene el motor con aceite aquí. Vea la página 27 para las recomendaciones del aceite y las instrucciones de llenado.

**Toma de Alta Presión** – Conexión para la manguera de alta presión.

# CÓMO USAR SU MÁQUINA LAVADORA A PRESIÓN

Si tiene problemas operando su máquina lavadora a presión, por favor llame a la línea de ayuda para máquinas lavadoras a presión al **1-800-222-3136**.

## Cómo Darle Arranque a su Máquina Lavadora a Presión

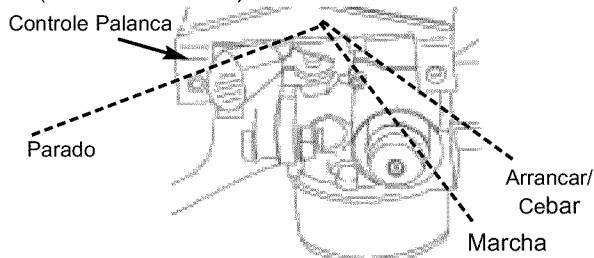
Para darle arranque a su máquina lavadora a presión movida a motor por primera vez, siga estas instrucciones paso a paso. Esta información acerca del arranque inicial también se aplica cuando vaya a darle arranque al motor después de haber dejado de la máquina lavadora a presión fuera de uso por al menos un día.

- Coloque la máquina lavadora a presión en un área cercana a una suministro de agua exterior capaz de abastecer agua a un volumen mayor de 2.2 galones por minuto.
- Revise que la manguera de alta presión se encuentre conectada firmemente a la pistola de rociado y a la bomba. Vea "Armado de Su Máquina Lavadora a Presión".
- Asegúrese que la unidad esté nivelada.
- Conecte la manguera de jardín a la entrada del agua. Aprieta con la mano. Abra el suministro de agua.

**¡ADVERTENCIA!** DEBE HABER un tramo seguido de al menos diez pies de manguera de jardín entre la entrada de la máquina lavadora a presión y cualquier dispositivo de corte de corriente, como un conector de corte en "Y" o cualquier otra válvula de corte de agua tipo servicio. Los daños de la máquina lavadora a presión ocasionados por el incumplimiento de esta advertencia no serán cubiertos por la garantía.

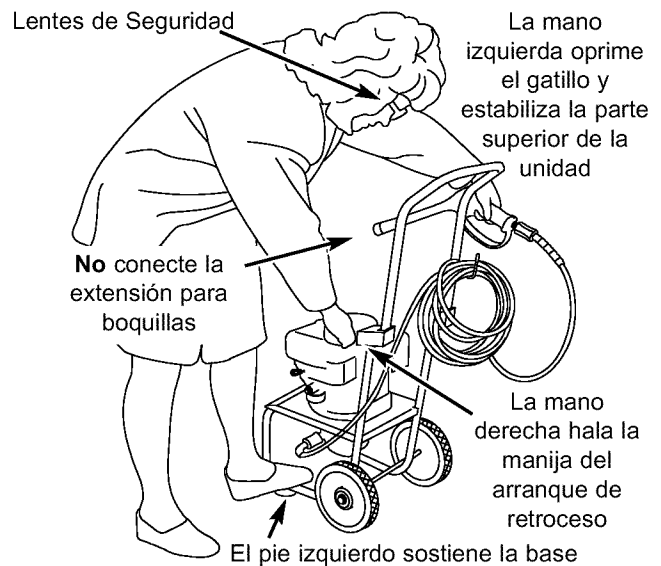
**¡PRECAUCIÓN!** No haga funcionar la bomba si no tiene el suministro conectado y abierto. Deberá cumplir con esta precaución, de otra forma la bomba resultará dañada.

- Mueva la palanca de control a la posición "Start/Choke" ("Arrancar/Cebar").



**NOTA:** Para motores calientes, asegúrese que la palanca de control esté en la posición "Run" ("Marcha").

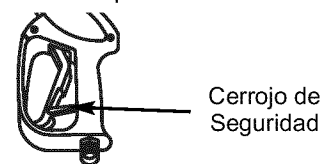
- Asegúrese que la extensión para boquillas NO esté conectada a la pistola de rociado. La pistola de rociado debe estar en el gancho de almacenamiento de la forma mostrada acá.
- Coloque su pie izquierdo sobre el bastidor inferior de la unidad.



- Agarre la pistola de rociado con su mano izquierda y oprima el gatillo de la pistola de rociado. Va a ver un chorro delgado de agua saliendo de la pistola de rociado. Continúe oprimiendo el gatillo. Su mano izquierda va a ayudar a estabilizar la unidad.
- Agarre la manija del arranque de retroceso con su mano derecha de la manera ilustrada. Hale suavemente la manija del arranque hasta que sienta cierta resistencia, después hálela rápidamente. Devuelva la manija del arranque lentamente. **No** permita que la soga "rebote" violentamente contra el arranque.
- Cuando el motor arranque, mueva lentamente la palanca de control a la posición "Run". Si el motor intenta apagarse, mueva la palanca de control a la posición "Start/Choke" y después a la posición "Run".
- Si el motor no arranca después de seis intentos, mueva la palanca de control a la posición "Run". Si el motor tiene contrafuegos y continua funcionando, mueva la palanca de control a la posición "Start/Choke" y después a la posición "Run".

**NOTA:** El motor está equipado con un cebador, el cual puede ser necesario para darle arranque al motor cuando la temperatura ambiente se encuentre por debajo de 40°F. Para usar el cebador, oprima el botón del cebador 3 veces esperando 2 segundos entre cada oprimida.

- Con el motor en funcionamiento, enganche el cerrojo de seguridad al gatillo de la pistola de rociado.



- Conecte la extensión para boquillas a la pistola de rociado. Aprieta con la mano.

## Cómo Detener su Máquina Lavadora a Presión

- Mueva la palanca de control a la posición "Stop" ("Parado").

- **Apriete el gatillo de la pistola de rociado para eliminar la presión de la manguera.**

**NOTA:** Observará una pequeña cantidad de agua cuando elimine la presión.

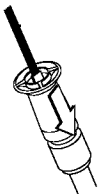
## Cómo Usar la Boquilla Ajustable

Usted ya debe saber como darle **ARRANQUE** a su máquina lavadora a presión y como **DETENERLA**. La información de esta sección le dirá como ajustar el patrón de rociado y como aplicar detergente u otros químicos de limpieza.

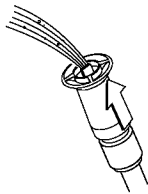


**¡PELIGRO!** Nunca ajuste el patrón de rociado cuando esté rociando. Nunca coloque las manos en frente de la boquilla para ajustar el patrón de rociado.

En el extremo de su pistola de rociado existe una manija que se puede mover hacia adelante y hacia atrás para ajustar el patrón de rociado para que sea de alta o baja presión.

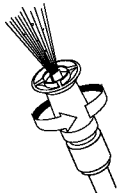


Mueva la boquilla hacia atrás para obtener el modo de alta presión.



Mueva la boquilla hacia adelante para obtener el modo de baja presión y para la aplicación del detergente.

Usted también puede ajustar el patrón de rociado girando la boquilla para que esté concentrado en un patrón de chorro o un patrón expandido en abanico.



Gire la boquilla en sentido contrario a las manecillas del reloj para un patrón de rociado en abanico.



Gire la boquilla en sentido de las manecillas del reloj para un patrón de rociado a chorro.

- Apunte la boquilla hacia el suelo, desenganche el cerrojo de seguridad y apriete el gatillo para probar el patrón de rociado.



- El patrón de rociado se ajusta de un patrón angosto a un patrón en abanico girando la boquilla.

- Para una limpieza más efectiva, mantenga la boquilla de rociado de 8 a 24 pulgadas de la superficie de limpieza.
- Si coloca la boquilla de rociado demasiado cerca podría dañar la superficie, especialmente cuando esté usando el modo de alta presión.
- **No coloque** la boquilla a menos de 8 pulgadas cuando esté limpiando llantas.

## Aplicación del Detergente Usando la Boquilla Ajustable

**IMPORTANTE:** Utilice químicos diseñados específicamente para máquinas lavadoras a presión. Los detergentes caseros podrían dañar la bomba.

**IMPORTANTE:** Usted deberá conectar todas las mangueras antes de darle arranque al motor. Arrancar el motor sin tener todas las mangueras conectadas y sin el suministro de agua **ABIERTO (ON)** causará el daño de la bomba.

**Para aplicar el detergente, siga los siguientes pasos:**

- Revise el uso de la boquilla ajustable.
- Prepare la solución detergente según lo indicado para el trabajo de limpieza.
- Cuelgue el recipiente de la solución detergente en el gancho conectado a la manija.
- Coloque el extremo con el filtro del tubo para succión de detergente en el recipiente del detergente.



**¡PRECAUCION!** Cuando coloque el filtro en el recipiente del detergente, coloque el tubo de manera que no entre en contacto con el silenciador caliente.

- Mueva la boquilla ajustable hacia adelante para obtener el modo de baja presión. El detergente **No** puede ser aplicado si tiene la boquilla en la posición de alta presión.
- Asegúrese que la manguera de jardín esté conectada a la entrada del agua. Revise que la manguera de alta presión esté conectada a la pistola de rociado y a la bomba. Dele arranque al motor.
- Aplique el detergente sobre la superficie seca, comenzando en la parte inferior y dirigiéndose hacia arriba.
- Permita que el detergente "penetre" de 3 a 5 minutos antes de enjuagar. Vuelva a aplicarlo cuando sea necesario para evitar que la superficie se seque.
- Para lavar, comience en la parte inferior del área que está lavando y dirijase hacia arriba, utilizando movimientos largos, parejos y superpuestos.

**IMPORTANTE:** Usted deberá lavar el sistema de inyección de químicos después de cada uso colocando el filtro en un balde de agua limpia y haciendo funcionar la máquina lavadora a presión de 1 a 2 minutos en el modo de baja presión.

## Enjuage de la Máquina Lavadora a Presión



**¡ADVERTENCIA!** Sea extremadamente cuidadoso si usa la máquina lavadora a presión desde una escalera, andamio o cualquier superficie relativamente inestable. La presión de una máquina lavadora en funcionamiento se acumula a medida que usted sube. Cuando oprima el gatillo, la fuerza de reacción del rociado inicial podría hacerlo caer. El rociado de la alta presión podría hacerlo caer si está muy cerca de la superficie de limpieza.

### Para Enjuage:

- Mueva la boquilla hacia atrás para obtener el modo de alta presión, oprima el gatillo y espere que deje de salir detergente.

**NOTA:** También puede detener la circulación del detergente retirando el tubo de succión del recipiente.

- Mantenga la pistola de rociado a una distancia segura del área que planea rociar.

- Aplique un rociado de alta presión en un área pequeña, después revise si la superficie presenta daños. Si no encuentra daños, puede continuar con el trabajo de limpieza.
- Comience en la parte superior del área que va a enjuagar, dirigiéndose hacia abajo con los mismos movimientos superpuestos que utilizó para el lavado y la aplicación del detergente.

## Sistema de Enfriamiento Automático (Alivio Térmico)

El agua que circula dentro de la bomba puede alcanzar temperaturas entre los 140-145°F si hace funcionar el motor de su máquina lavadora a presión de 3 a 5 minutos sin oprimir el gatillo de la pistola de rociado. El sistema de enfriamiento automático se activa a esta temperatura y enfría la bomba descargando agua caliente en el piso, evitando así el daño interno de la bomba.



# MANTENIMIENTO

## RESPONSABILIDADES DEL PROPIETARIO

Siga el programa de mantenimiento según el número de horas o según el calendario, lo que suceda primero. Se requiere de servicio con mayor frecuencia cuando opere la unidad en las condiciones adversas descritas a continuación.

HORARIO DE MANTENIMIENTO COLOQUE LAS FECHAS A MEDIDA QUE VA COMPLETANDO EL SERVICIO REGULAR	INTERVALO DE OPERACION POR HORA			FECHAS DE SERVICIO			
	Antes de cada uso	Cada 50 Horas o Anualmente	Cada 100 Horas o Anualmente				
TAREA DE MANTENIMIENTO							
<b>MAQUINA LAVADORA A PRESION</b>							
Revise/limpie el colador de la entrada de agua de la conexión rápida.	X†						
Revise la manguera de alta presión.	X						
Revise la manguera del detergente.	X						
Revise la pistola de rociado y el conjunto para ver si existen fugas.	X						
Elimine el aire y los contaminantes de la bomba	X						
<b>MOTOR</b>							
Revise el nivel de aceite	X						
Cambie el aceite del motor.		X*					
Proporcione servicio al depurador de aire.			X**				
Limpie la bujía.			X				
Prepare la unidad para almacenamiento.	Prepare la unidad para almacenamiento si va a estar fuera de servicio por más de 30 días.						

† Limpiar si está obstruido. Reemplazar si está perforado o roto.

\* Cambiar el aceite después de las primeras (2) horas y después cada 25 horas. Hacer el cambio de aceite con mayor frecuencia cuando trabaje en condiciones de mucha suciedad o polvo.

\*\* Reemplazar más a menudo bajo condiciones de suciedad o polvo.

## ESPECIFICACIONES DEL PRODUCTO

### Especificaciones de la Máquina Lavadora a Presión

Presión . . . . . 2,100 PSI  
 Velocidad de flujo . . . . . 2.0 GPM  
 Mezcla de químicos . . . . . Use según instrucciones  
 Temperatura del suministro de agua . . . . . Que no exceda los 140°F

### Especificaciones del Motor

Caballos de fuerza . . . . . 6.25 HP  
 Bujía  
 Tipo: . . . . . Champion RJ19LM o similar  
 Calibre la separación a: 0.030 pulgadas (0.76 mm)  
 Capacidad de gasolina . . . . . 1.5 Cuartos  
 Aceite . . . . .  
 Uso Genera . . . . . SAE 30

## RECOMENDACIONES GENERALES

La garantía de la máquina lavadora a presión **No** cubre los elementos que han sido sujetos a abuso o negligencia por parte del operador. Para recibir el valor total de la garantía, el operador deberá mantener la máquina lavadora a presión como se indica en este manual.

Algunos ajustes tendrán que hacerse periódicamente para mantener adecuadamente su máquina lavadora a presión.

Todos los servicios y ajustes deberán hacerse por lo menos una vez en cada estación. Siga las instrucciones de la tabla "Programa de Mantenimiento" descrita anteriormente.

**NOTA:** Una vez al año, usted deberá limpiar o reemplazar la bujía y el filtro de aire. Una bujía nueva y un filtro de aire limpio garantizan una mezcla de combustible-aire adecuada y le ayuda a su motor a funcionar mejor y a tener una vida útil más prolongada.

## ANTES DE CADA USO

- Revise el nivel de aceite del motor.
- Revise si existen daños en el colador de la entrada de agua.
- Revise si existen daños en el filtro en línea.
- Revise si existen fugas en la manguera de alta presión.
- Revise si existen daños en los filtros de químicos.
- Revise si existen fugas en el conjunto de la extensión para boquillas y pistola.
- Elimine el aire y los contaminantes de la bomba.

## MANTENIMIENTO DE LA MAQUINA LAVADORA A PRESION

### Revise y Limpie el Colador de Entrada

Examine el colador de entrada de la manguera de jardín. Límpielo si está tapado o remplacele si está roto.

### Revise la Manguera de Alta Presión

Las mangueras de alta presión pueden desarrollar fugas debido al desgaste, dobleces o abuso. Revise la manguera antes de cada uso. Revise si existen cortes, fugas, abrasiones, levantamiento de la cubierta, daño o movimiento de los acoplamientos. Si existe cualquiera de estas condiciones, reemplace la manguera inmediatamente.



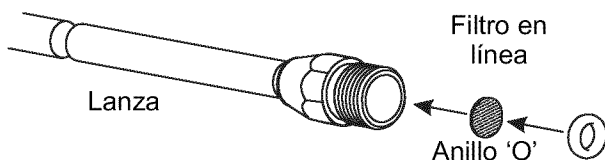
**¡PELIGRO!** Nunca repare la manguera de alta presión. Remplacela con una manguera que cumpla con la capacidad mínima de presión de su máquina lavadora a presión.

### Revise la Pistola y la Extensión para Boquillas

Examine la conexión de la manguera a la pistola y cerciórese de que esté en buen estado. Pruebe el gatillo oprimiéndolo y asegurándose de que se devuelve a su sitio cuando lo suelte. Coloque el cerrojo de seguridad y pruebe el gatillo. Usted **No** debe ser capaz de oprimir el gatillo. Reemplace la pistola inmediatamente si falla cualquiera de estas pruebas.

### Revise el Filtro en Línea

Consulte la ilustración y suministre servicio al filtro en línea si se tapa siguiendo estos pasos:



1. Retire la pistola y la extensión para boquillas de la manguera de alta presión. Retire la extensión para boquillas de la pistola y retire el anillo 'o' y el colador de la extensión para boquillas. Lave el colador, pistola y extensión para boquillas con agua limpia para eliminar toda clase de residuos.

2. Si el colador está dañado, encontrará un colador para el filtro en línea y un anillo 'o' de repuesto en el juego de anillos 'o'. Si **No** está dañado, vuelva a usarlo.
3. Coloque el colador del filtro en línea en el extremo con rosca de la extensión para boquillas. Su dirección **No** importa. Coloque el colador ejerciendo presión con el borrador de un lápiz hasta que se asiente por completo en el fondo de la abertura. Tenga cuidado de **No** doblar el colador.
4. Coloque el anillo 'o' en la ranura respectiva. Empuje el anillo 'o' hasta que quede ajustado contra el colador del filtro en línea.
5. Conecte la extensión para boquillas a la pistola de rociado de la manera descrita anteriormente en este manual

### Elimine el Aire y los Contaminantes de la Bomba

**Para retirar el aire de la bomba, siga los siguientes pasos:**

- Instale la máquina lavadora a presión como está descrito en la sección de MONTAJE y conecte el suministro de agua.
- Hale el gatillo de la pistola y manténgalo apretado hasta que obtenga una corriente de agua constante.

**Para retirar los contaminantes de la bomba, siga los siguientes pasos:**

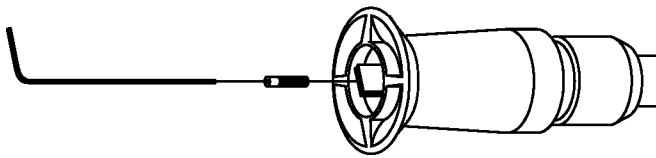
- Instale la máquina lavadora a presión como está descrito en la sección de MONTAJE y conecte el suministro de agua.
- Retire la extensión para boquillas de la pistola.
- Ponga en marcha el motor de acuerdo a las instrucciones de la sección OPERACION.
- Hale el gatillo de la pistola y manténgalo apretado.
- Cuando el suministro de agua sea uniforme y constante, enganche el cerrojo de seguridad y vuelva a ajustar la extensión para boquillas.

### Mantenimiento de las Boquillas

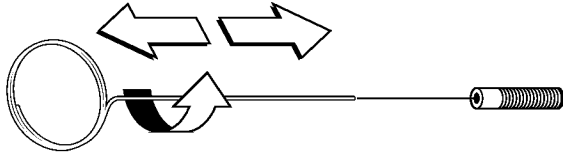
Si la boquilla se obstruye o tapa con materiales extraños, como suciedad, se puede presentar presión excesiva de la bomba. Una boquilla parcialmente tapada puede causar una sensación pulsátil durante el uso. Esto generalmente **No** es un problema relacionado con la bomba, es más que todo una boquilla tapada o parcialmente obstruida.

Si la boquilla se tapa u obstruye parcialmente, límpiela inmediatamente con el juego incluido en su máquina lavadora a presión siguiendo estas instrucciones:

- Apague el motor y cierre el suministro de agua.
- Separe la extensión para boquillas de la pistola.
- Gírela a la posición de chorro.
- Retire la boquilla del extremo de la extensión para boquillas usando una llave allen de 2 mm o 5/64.

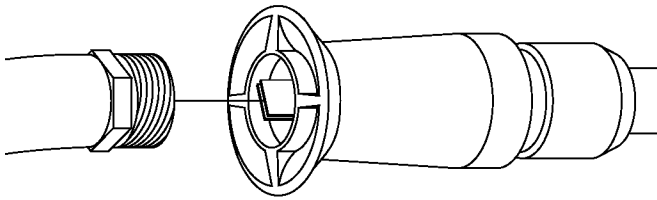


- Use el alambre incluido en el juego o un clip de papel pequeño para liberar los materiales extraños que están tapando u obstruyendo la boquilla.



Introduzca el alambre dentro de la boquilla y gírelo hacia los lados, hacia adelante y atrás hasta despejar la obstrucción.

- Retire la suciedad adicional inyectando el suministro de agua en sentido contrario a través de la extensión para boquillas. Lave de esta forma de 30 a 60 segundos. Gire la extensión para boquillas hasta obtener un rociado en chorro y mueva la boquilla de presión baja a alta mientras hace el lavado.



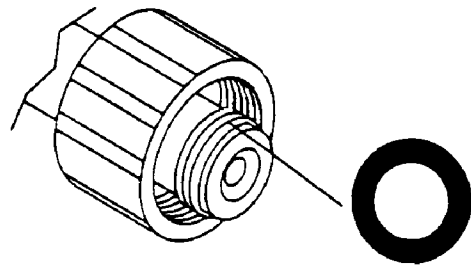
- Vuelva a instalar la boquilla en la extensión para boquillas. **No** la apriete demasiado.
- Vuelva a conectar la extensión para boquillas a la pistola de rociado.
- Vuelva a conectar el suministro de agua, ABRA el suministro agua y ponga el motor en funcionamiento.
- Pruebe la máquina lavadora a presión haciéndola funcionar con la boquilla en las posiciones de alta y baja presión.

## Mantenimiento de los Anillos 'O'

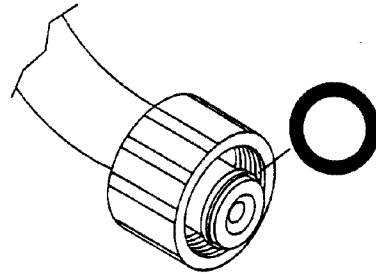
Durante la operación normal de su máquina lavadora a presión los anillos 'o' mantienen apretadas y libres de fugas las conexiones de las mangueras y la pistola. Ellos pueden desgastarse o dañarse con el uso. Su máquina lavadora a presión viene con un Juego de Mantenimiento para anillos 'O', el cual contiene anillos 'o', arandela de caucho y un colador de repuesto para la entrada de la manguera de jardín.

### Las partes del Juego de Anillos 'O' incluyen:

- 1 anillo 'o' rojo, (p/n B2726) para el extremo de la conexión de la pistola de rociado entre la pistola y la extensión para boquillas.

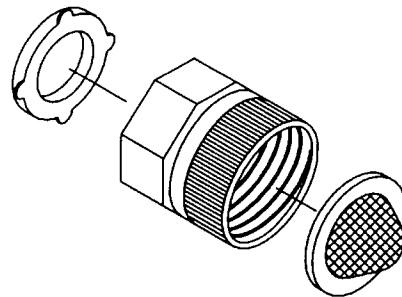


- 1 anillo 'o' amarillo, (p/n B2264) para el extremo de la manguera de alta presión.



**NOTA:** Los dos anillos 'o' anteriores tienen un tamaño similar. Por favor compárelos y asegúrese de usarlos en el lugar correcto.

- 1 arandela de caucho (p/n B2385) para la parte interna del conector de la manguera de jardín.



- 1 colador para la entrada de agua (p/n B2384) para el conector de la manguera de jardín.

### Para retirar un anillo 'O' desgastado o dañado:

- Utilice un destornillador de cabeza plana pequeño, colóquelo por debajo del anillo 'o' y sáquelo haciendo palanca.

## MANTENIMIENTO DEL MOTOR

### Revisión del Nivel del Aceite

El nivel del aceite deberá ser revisado antes de cada uso o al menos cada 5 horas de operación. Conserve el nivel del aceite.

### Cambio de Aceite

Cambie el aceite del motor después de las primeras 2 horas y cada 25 horas a partir de ese momento. Si está utilizando su máquina lavadora a presión bajo condiciones de extrema suciedad o polvo, o en un clima demasiado caliente, haga el cambio de aceite con mayor frecuencia.

### Cambie el aceite con el motor caliente después del funcionamiento, como se indica a continuación:

- Drene el tanque del combustible haciendo funcionar la máquina lavadora a presión hasta que el tanque esté vacío.
- Limpie el área alrededor de la abertura para llenado de aceite, retire la varilla de medición/tapa del aceite. Limpie la varilla de medición.
- Incline su máquina lavadora a presión para drenar el aceite a través del orificio de llenado en un recipiente adecuado asegurándose de inclinar la unidad hacia el lado opuesto de la bujía. Cuando la caja del cigüeñal esté vacía, vuelva a colocar la máquina lavadora a presión en posición vertical.
- Limpie la varilla de medición, insértela en el orificio de llenado y apriete firmemente; después, vuelva a retirar la varilla de medición. Deposite el aceite recomendado hasta la marca "Full" de la varilla de medición. Deposite el aceite lentamente. Limpie la varilla de medición cada vez que revise el nivel del aceite. **No** llene excesivamente.
- Instale el tapón del orificio de llenado y la varilla de medición, apriete firmemente.
- Limpie los residuos de aceite.

### Servicio del Depurador de Aire

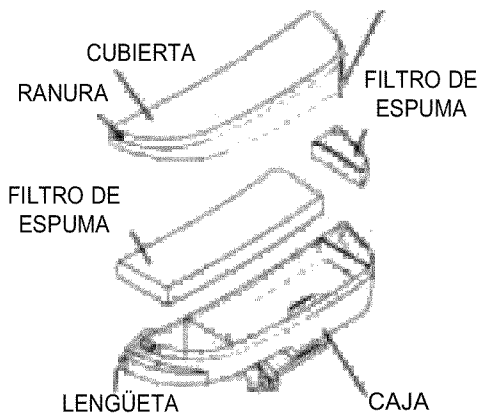
Su motor **No** funcionará adecuadamente y puede dañarse si usted lo hace funcionar con un depurador de aire sucio.

Reemplace el depurador de aire una vez cada 100 horas de operación o una vez por año, lo que suceda primero. Reemplacelo más frecuentemente si la unidad funciona bajo condiciones de mucha suciedad o polvo. Los repuestos se encuentran disponibles en su centro de servicio local Sears.

### Para reemplazar el depurador de aire, siga los siguientes pasos:

- Retire la cubierta halando de la lengüeta al mismo tiempo que levanta la cubierta.

LENGÜETA (LEVANTE AQUÍ PARA RETIRAR)



- Retire cuidadosamente el elemento del filtro de aire sucio para evitar que la suciedad caiga dentro del carburador. Descártelo.

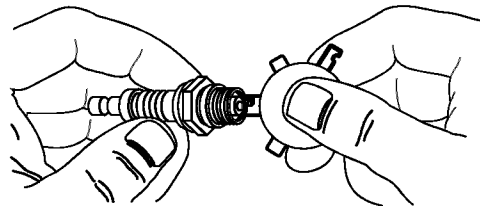
- Limpie minuciosamente la parte interna de la cubierta y la caja.
- Instale los elementos de filtro de aire nuevo. Usted puede comprar los elementos del filtro de aire nuevos llamando al **1-800-366-PART**.
- Instale la cubierta enganchando la ranura de la cubierta en la lengüeta de la caja. Empuje la cubierta hacia abajo hasta que se asegure en la caja.

### Proporcione Servicio a la Bujía

Proporcione servicio a la bujía cada 100 horas de operación o una vez al año, lo que suceda primero.

**¡PRECAUCION!** Desconecte el alambre de la bujía y manténgalo alejado de la misma cuando suministre servicio al motor.

- Limpie el área alrededor de la bujía.
- Retire y revise la bujía.
- Cambie la bujía si los electrodos están desgastados, o si el aislador está roto o partido. Para su reemplazo, utilice una bujía Champion RJ-19LM.
- Revise la separación del electrodo con un calibrador de alambre y ajuste la separación a 0.030 pulgadas (0.76 mm) si es necesario.



- Instale la bujía y apriete firmemente.

### Carburador

Si usted cree que su carburador necesita ajuste, visite su centro de servicio Sears más cercano. El funcionamiento del motor podría resultar afectado a altitudes por encima de 7000 pies. Para operaciones a elevaciones mayores, póngase en contacto con el centro de servicio Sears más cercano.

### DESPUES DE CADA USO

**No** deberá haber agua en la unidad por largos períodos de tiempo. Los sedimentos de minerales se pueden depositar en partes de la bomba y "congelar" su funcionamiento. Lleve a cabo estos procedimientos después de cada uso:

- Lave el tubo de succión de detergente colocando el filtro en un balde de agua limpia al mismo tiempo que hace funcionar la máquina lavadora a presión en el modo de baja presión (boquilla ajustable en posición delantera). Lave por un minuto o dos minutos.
- Apague el motor y déjelo enfriar, después retire todas las mangueras.
- Desconecte el alambre de la bujía.
- Saque todos los líquidos de la bomba halando la manija de retroceso aproximadamente 6 veces. Esto deberá evacuar la mayoría del líquido de la bomba.

# ALMACENAMIENTO

- Revise la manguera de alta presión para ver si presenta daños. Los cortes en la manguera o el desgaste de la misma pueden ocasionar fugas y pérdida de presión. Si encuentra algún daño, reemplace la manguera. **No** intente reparar una manguera dañada. Reemplace la manguera con la parte Craftsman genuina.
- Drene el agua de la manguera y enrollela adecuadamente en el soporte incluido.
- Vuelva a conectar el alambre a la bujía.
- Almacene la unidad en una área limpia y seca.



**¡PELIGRO!** Nunca almacene el motor con combustible en el tanque en recintos cerrados o en áreas encerradas con poca ventilación donde los vapores puedan entrar en contacto con llamas abiertas, chispas o luces de piloto.

## ALMACENAMIENTO PARA INVIERNO



**¡PRECAUCION!** Usted deberá proteger su unidad de las temperaturas de congelamiento. Si **No** lo hace, dañará permanentemente la bomba y la unidad **No** podrá funcionar.

### Para proteger la unidad de las temperaturas de congelamiento:

- Lave el tubo de succión de detergente colocando el filtro en un balde de agua limpia al mismo tiempo que hace funcionar la máquina lavadora a presión en el modo de baja presión (boquilla ajustable en posición delantera). Lave por un minuto o dos minutos.
- Desconecte la manguera conectada al adaptador de inyección de químicos de la bomba.
- Saque todos los líquidos de la bomba halando la manija de retroceso aproximadamente 6 veces. Esto deberá evacuar la mayoría del líquido de la bomba.
- Conecte un pedazo de manguera de jardín de 3 pies al adaptador de la entrada del agua. Vierta anticongelante RV (anticongelante sin alcohol) en la manguera. Hale la manija de retroceso dos veces. Desconecte la manguera de 3 pies.

## ALMACENAMIENTO PROLONGADO

Si usted **No** planea usar la máquina lavadora a presión por más de 30 días, deberá preparar el motor para un almacenamiento prolongado.

Es importante evitar la formación de depósitos de goma en las partes esenciales del sistema del combustible tales como carburador, filtro del combustible, manguera o tanque del combustible durante el almacenamiento. También, la experiencia indica que los combustibles con mezclas de alcohol (llamados gasohol, etanol o metanol) pueden atraer la humedad, lo que lleva a la separación y formación de ácidos durante el almacenamiento. La gasolina ácida puede dañar el sistema del combustible de un motor durante el almacenamiento.

## Proteja el Sistema de Combustible

### Drenaje del Tanque de Combustible:



**¡PELIGRO!** Drene el combustible en un área despejada, lejos de llamas abiertas, en un recipiente adecuado y utilizando un embudo. Asegúrese que el motor esté frío. **No Fume.**

- Retire toda la gasolina del carburador y del tanque del combustible para evitar la formación de depósitos de goma en estas partes, lo que puede causar un mal funcionamiento del motor.
- Haga funcionar el motor hasta que el tanque quede vacío y el motor se detenga.

## Cambio de Aceite

Con el motor todavía caliente, drene el aceite de la caja del cigüeñal. Vuelva a llenarlo con el grado de aceite recomendado. Vea "Cambio de Aceite" en la página 35.

## Aceite el Diámetro Interior del Cilindro

- Retire la bujía. Rocíe aproximadamente 1 onza de aceite limpio para motor dentro del cilindro. Cubra el orificio de la bujía con un trapo. Hale la manija de retroceso lentamente para distribuir el aceite. Evite el rociado del orificio de la bujía.
- Instale la bujía. **No** conecte el alambre de la bujía.

## OTROS

- **No** almacene gasolina de una estación a otra.
- Si es posible, almacene su unidad en un recinto cerrado y cúbrala para protegerla del polvo y la suciedad. **ASEGURESE DE VACIAR EL TANQUE DEL COMBUSTIBLE.**

**IMPORTANTE:** NUNCA cubra su máquina lavadora a presión cuando el motor y el área del escape estén calientes.

# REPARACION DE DAÑOS

Problema	Causa	Solución
<b>La bomba presenta los siguientes problemas: no produce presión, produce una presión errada, traqueteo, pérdida de presión, bajo volumen de agua.</b>	<ol style="list-style-type: none"> <li>1. La boquilla está en el modo de baja presión.</li> <li>2. La entrada de agua está bloqueada.</li> <li>3. Suministro de agua inadecuado.</li> <li>4. La manguera de entrada está doblada o presenta fugas.</li> <li>5. El colador de la manguera de entrada está tapado.</li> <li>6. El suministro de agua está por encima de los 140°F.</li> <li>7. La manguera de alta presión está bloqueada o presenta fugas.</li> <li>8. La pistola presenta fugas.</li> <li>9. La boquilla está obstruida.</li> <li>10. Bomba defectuosa.</li> </ol>	<ol style="list-style-type: none"> <li>1. Mueva la boquilla hacia atrás para el modo de alta presión.</li> <li>2. Limpie la entrada.</li> <li>3. Proporcione flujo de agua adecuado.</li> <li>4. Estire la manguera de entrada, coloque un parche en la fuga.</li> <li>5. Revise y limpie el colador de la manguera de entrada.</li> <li>6. Proporcione suministro de agua más fría.</li> <li>7. Retire las obstrucciones de la manguera de salida.</li> <li>8. Reemplace la pistola.</li> <li>9. Limpie la boquilla.</li> <li>10. Póngase en contacto con el centro de servicio Sears.</li> </ol>
<b>El detergente no se mezcla con el rociado.</b>	<ol style="list-style-type: none"> <li>1. El tubo de succión de detergente no está sumergido.</li> <li>2. El filtro de químicos está tapado.</li> <li>3. La boquilla está en el modo de alta presión.</li> </ol>	<ol style="list-style-type: none"> <li>1. Coloque el tubo de succión de detergente en el detergente.</li> <li>2. Limpie o reemplace el filtro/tubo de succión de detergente.</li> <li>3. Mueva la boquilla hacia adelante para el modo de baja presión.</li> </ol>
<b>El motor funciona bien cuando no tiene cargas, pero funciona "mal" cuando se conecta una carga.</b>	La velocidad del motor es demasiado lenta.	Mueva el control de la válvula de regulación a la posición FAST (RAPIDO). Si el motor continua funcionando mal, póngase en contacto con el centro de servicio Sears.
<b>El motor no arranca; o arranca y funciona mal.</b>	<ol style="list-style-type: none"> <li>1. Bajo nivel de aceite.</li> <li>2. Depurador de aire sucio.</li> <li>3. Sin gasolina.</li> <li>4. Gasolina vieja.</li> <li>5. El alambre de la bujía no está conectado a la bujía.</li> <li>6. Bujía mala.</li> <li>7. Agua en la gasolina.</li> <li>8. Estrangulación excesiva.</li> <li>9. Mezcla de combustible demasiado rica.</li> <li>10. Válvula de entrada trabada en la posición abierta o cerrada.</li> <li>11. El motor ha perdido compresión.</li> </ol>	<ol style="list-style-type: none"> <li>1. Llene la caja del cigüeñal hasta el nivel correcto.</li> <li>2. Limpie o reemplace el depurador de aire.</li> <li>3. Llene el tanque de combustible.</li> <li>4. Drene el tanque de gasolina; llénelo con combustible fresco.</li> <li>5. Conecte el alambre a la bujía.</li> <li>6. Reemplace la bujía.</li> <li>7. Drene el tanque de gasolina; llénelo con combustible fresco.</li> <li>8. Abra el cebador por completo y haga girar el motor.</li> <li>9. Póngase en contacto con el centro de servicio Sears.</li> <li>10. Póngase en contacto con el centro de servicio Sears.</li> <li>11. Póngase en contacto con el centro de servicio Sears.</li> </ol>
<b>El motor se apaga durante la operación.</b>	<ol style="list-style-type: none"> <li>1. Sin gasolina.</li> <li>2. Bajo nivel de aceite.</li> </ol>	<ol style="list-style-type: none"> <li>1. Llene el tanque de combustible.</li> <li>2. Llene la caja del cigüeñal hasta el nivel correcto.</li> </ol>
<b>El motor no tiene fuerza.</b>	Filtro de aire sucio.	Reemplace el filtro de aire
<b>El motor intenta estabilizarse o su funcionamiento no es constante.</b>	Cebador abierto demasiado rápido	Mueva el cebador a la posición intermedia hasta que el motor funcione normalmente.

# GARANTÍA DEL SISTEMA DE CONTROL DE EMISIONES

## Sus Obligaciones y Derechos de Garantía

La Junta Directiva de Recursos Ambientales de California ("CARB") y Sears Roebuck and Co. USA, tienen el gusto de explicar la Garantía del Sistema de Control de Emisiones de su motor (motor) pequeño año 2000 y modelos posteriores. En California, los motores nuevos deben ser diseñados, fabricados y equipados para cumplir con los estrictos estándares anti-polución del Estado. Sears deberá garantizar el sistema de control de emisiones de su motor por los periodos de tiempo enlistados a continuación, con tal de que no haya habido abuso, negligencia o mantenimiento inadecuado de su motor.

Su sistema de control de emisiones incluye partes como el carburador y el sistema de ignición.

Donde exista una condición que se pueda garantizar, Sears reparará su motor sin costo alguno para usted. Los gastos cubiertos bajo la garantía incluyen diagnóstico, partes y mano de obra.

## Cubrimiento de Garantía del Fabricante

Los motores modelo año 2000 y posteriores están garantizados por dos años. Si alguna parte de su motor relacionada con las emisiones (lista a continuación) es defectuosa, ésta será reemplazada o reparada por Sears.

## Responsabilidades de Garantía del Propietario

Como propietario del motor, usted es responsable de la realización del mantenimiento requerido enlistado en este manual del propietario. Sears le recomienda conservar todos los recibos que cubran el mantenimiento de su motor. Sin embargo, Sears no puede negar los derechos de garantía tan solo debido a la falta de los recibos o por que no se haya asegurado de realizar todo el mantenimiento programado.

Como propietario del motor, usted debe saber que Sears puede negar el cubrimiento de la garantía si su motor, o una parte del mismo, ha fallado debido a abuso, negligencia, mantenimiento inadecuado, modificaciones no aprobadas, o por el uso de partes que no hayan sido fabricadas o aprobadas por el fabricante original del equipo.

Usted es responsable de llevar su motor a un centro de reparación autorizado Sears tan pronto como aparezca el problema. Las reparaciones de garantía deberán terminarse en un período de tiempo razonable, que no exceda los 30 días.

Si tiene preguntas acerca de sus responsabilidades y derechos de garantía, deberá ponerse en contacto con su centro de servicio autorizado más cercano o llamar a Sears al 1-800-473-7247.

## Fecha de Inicio de la Garantía

El período de la garantía comienza en la fecha de entrega del motor.

## Duración del Cubrimiento

Sears garantiza al propietario inicial y a cada comprador subsecuente, que el motor está libre de defectos en materiales y mano de obra que puedan causar falla de la parte garantizada por un período de dos años.

## QUE ESTA CUBIERTO

### Reparación o Reemplazo de Partes

- La reparación o el reemplazo de cualquier parte garantizada se realizará sin ningún costo para el propietario en un centro de servicio aprobado Sears.

- Si tiene preguntas acerca de sus responsabilidades y derechos de garantía, deberá ponerse en contacto con su centro de servicio autorizado más cercano o llamar a Sears al 1-800-473-7247.

## Período de Garantía

Cualquier parte garantizada que no haya sido programada para reemplazo como mantenimiento requerido, o que esté programada únicamente para inspección bajo la condición de "repare o reemplace cuando sea necesario", será garantizada por 2 años. Cualquier parte garantizada que esté programada para reemplazo según el mantenimiento requerido será garantizada por el período de tiempo hasta su primer reemplazo programado.

## Diagnóstico

No se le cobrará al propietario los costos del trabajo diagnóstico que lleve a la conclusión de que la parte garantizada es defectuosa, si dicho trabajo diagnóstico es hecho en un centro de servicio Sears aprobado.

## Daños Consecuenciales

Sears puede ser responsable por daños a otros componentes del motor causados por la falla de una parte garantizada que aún está bajo garantía.

## QUE NO ESTA CUBIERTO

No serán cubiertas las fallas causadas por abuso, negligencia o mantenimiento inadecuado.

## Partes Agregadas o Modificadas

El uso de partes agregadas o modificadas puede ser motivo suficiente para negar reclamos bajo garantía. Sears no es responsable de cubrir fallas de partes garantizadas causadas por el uso de partes agregadas o modificadas.

## Cómo Presentar un Reclamo

Si tiene preguntas acerca de sus responsabilidades y derechos de garantía, deberá ponerse en contacto con su centro de servicio autorizado más cercano o llamar a Sears al 1-800-473-7247.

## Donde se Obtiene el Servicio de Garantía

Las reparaciones o servicios de garantía serán proporcionados en todos los centros de servicio autorizados Sears.

## Mantenimiento, Reemplazo y Reparación de Partes Relacionadas con Emisiones

Cualquier repuesto aprobado por Sears usado en la realización de cualquier mantenimiento o reparación de garantía en partes relacionadas con las emisiones, será suministrado sin costo alguno al propietario si la parte está bajo garantía.

## Lista de Partes en Garantía del Control de Emisiones

1. Conjunto del carburador
2. Sistema de ignición
  - a. Bujía, cubierta hasta el programa de mantenimiento.
  - b. Módulo de ignición
3. Tubo del respiradero de la caja del cigüeñal
4. Múltiple de escape

**For in-home major brand repair service:**

Call 24 hours a day, 7 days a week

**1-800-4-MY-HOME<sup>SM</sup>** (1-800-469-4663)

**Para pedir servicio de reparación a domicilio – 1-800-676-5811**

In Canada for all your service and parts needs call – **1-800-665-4455**  
Au Canada pour tout le service ou les pièces

**For the repair or replacement parts you need:**

Call 7 am – 7 pm, 7 days a week

**1-800-366-PART** (1-800-366-7278)

**Para ordenar piezas con entrega a domicilio – 1-800-659-7084**

**For the location of a Sears Parts and Repair Center in your area:**

Call 24 hours a day, 7 days a week

**1-800-488-1222**

**For information on purchasing a Sears Maintenance Agreement  
or to inquire about an existing Agreement:**

Call 9 am – 5 pm, Monday – Saturday

**1-800-827-6655**



The Service Side of Sears<sup>SM</sup>